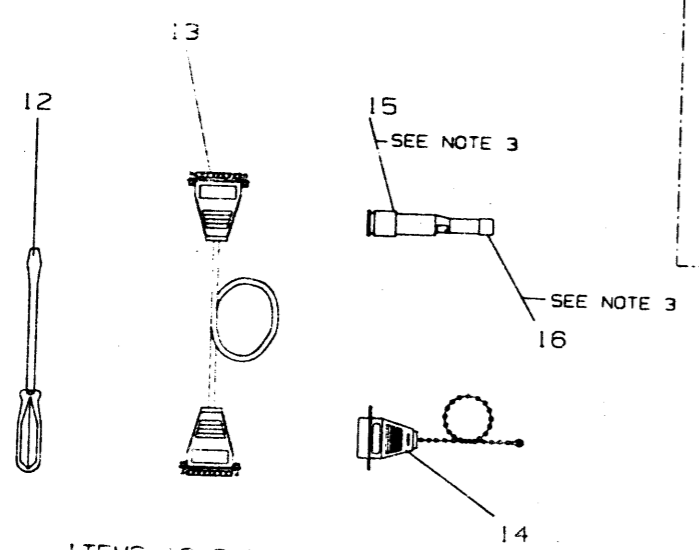
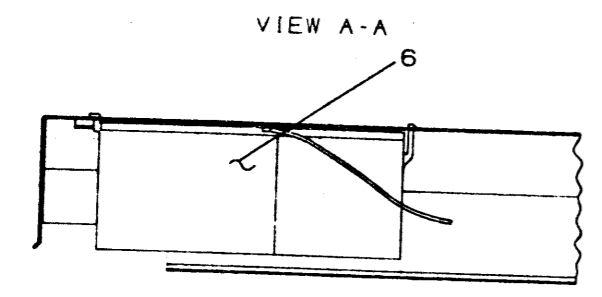
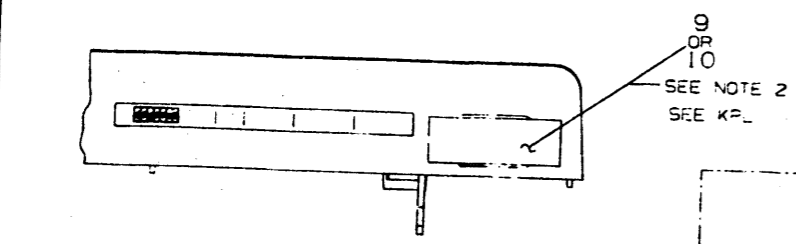


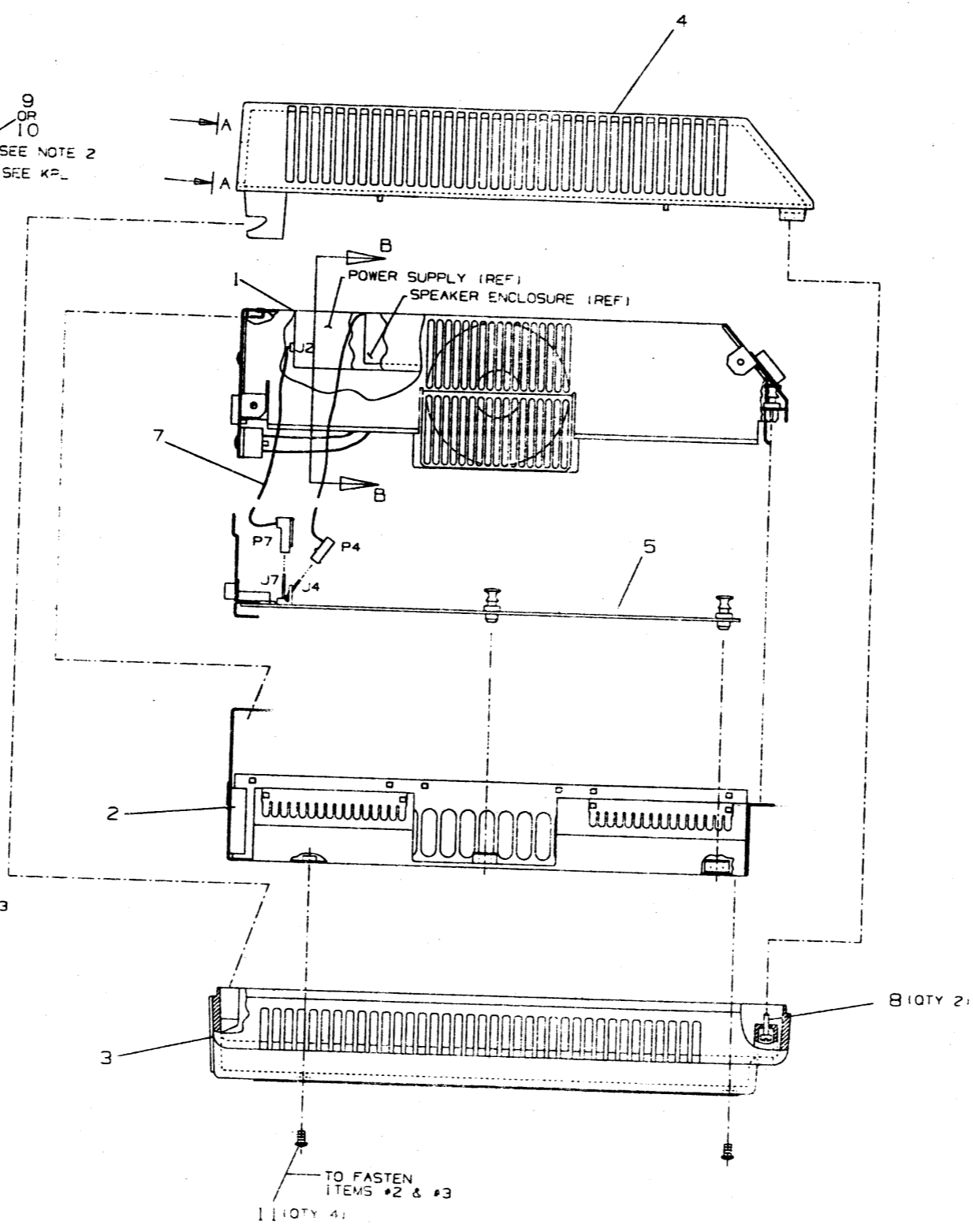


LEGEND		
PART NO.	REV.	VARIATION
DTC01-A	A1	AS SHOWN
DTC01-B	A1	AS SHOWN; SEE K.P.

- NOTES:
- ITEMS 12 THRU 14 SHIPPED AS LOOSE PARTS IN SHIPPING CONTAINER.
  - GENERAL AREA OF ITEM 4 TO BE FREE FROM DIRT AND GREASE.
  - WHEN ITEMS 15 AND 16 ARE USED (SEE K-PL-DTC01-O-DBP) REPLACE PRE-ASSEMBLED FUSE CARRIER AND FUSE WITH ITEMS 15 AND 16 RESPECTIVELY.



ITEMS 12 THRU 16  
SCALE: NONE



CAUTION: OFF SHEET PARTS LIST EXISTS  
SEE K-PL-DTC01-O-DBP (Z7524)

DESCRIPTION	QUANTITY	UNIT	REVISION	DATE	BY	CHKD	APP'D
8-CD-DTC01-O-0	1						
<p>THIRD ANGLE PROJECTION</p> <p>DO NOT SCALE DRAWING</p> <p>BEFORE REWORKING</p> <p>SEE K.P.</p> <p>FINISH: NONE</p>							
<p>DESIGNER: JOHN FOLEY</p> <p>DRWING: N. NICHOLS</p> <p>CHECKED: J. NICHOLS</p> <p>DATE: 12 JAN 84</p>				<p>TITLE: DTC01 UNIT ASSEMBLY</p> <p>PROJECT: 8-CD-DTC01-O-0</p> <p>DATE: 12 JAN 84</p> <p>BY: J. NICHOLS</p> <p>CHKD: J. NICHOLS</p>			
<p>DATE: 12 JAN 84</p> <p>BY: J. NICHOLS</p> <p>CHKD: J. NICHOLS</p>				<p>DOCUMENT NUMBER: EUA DTC01-O-DBP</p> <p>REV: 01</p>			

AUTOMATED BY PRTLST.4Q(50)

PARTS LIST

SHEET A1 OF A1

LINE	ITEM	TOP DOCUMENT	PART NUMBER	MIN REV	DESCRIPTION	QTY PER VARIATION	
						A	B
1	1	E-AD-7019499-0-DBU	7019499-00		CHASSIS ASSY	1	1
2	2	D-AD-7020481-0-DBU	7020481-01		PAN ASSY	1	1
3	3	D-AD-7021098-0-DBU	7021098-01		ENCLOSURE ASSY, BOTTOM	1	1
4	4	D-AD-7021503-0-DBU	7021503-01		ENCLOSURE ASSY, TOP	1	1
5	5	E-AD-7021148-0-DBU	7021148-01		DEC TALK	1	1
6	6	C-AD-7021099-0-DBU	7021099-01		SPEAKER ASSY.	1	1
7	7		1700428-01		CABLE ASSY 16COND 18AWG 19CIRCUIT	1	1
8	8		9009327-06		SCREW, MACH FILL SLOT 6-	2	2
9	9		3617905-07		LABEL, EQUIP SET 100-120V ENG, FR,	1	-
10	10		3617905-08		LABEL, EQUIP SET 220-240V ENG, FR,	-	1
11	11		9010174-00		SCREW, SEMS PAN PHIL 6-	4	4
12	12		4700097-01		SCREWDRIVER, MINI, WHITE W/DEC LOG	1	1
13	13		1700313-01		CABLE ASSY. BC22D W/CONN 10'	1	1
14	14		1215336-00		CONN, TEST, W/BALL CHAIN	1	1
15	15		1221126-04		FUSE CARRIER 5X20 MM FUSE	-	1
16	16		1219285-00		FUSE, 1A 250V, LOW BREAKING C	-	1
17	17		3700700-01		PKG SYSTEM VS240	1	1

18 NOTE: WHEN ITEMS 15 AND 16 ARE USED, SEE E-UA-DTC01-0-DBU FOR INSTALLATION.

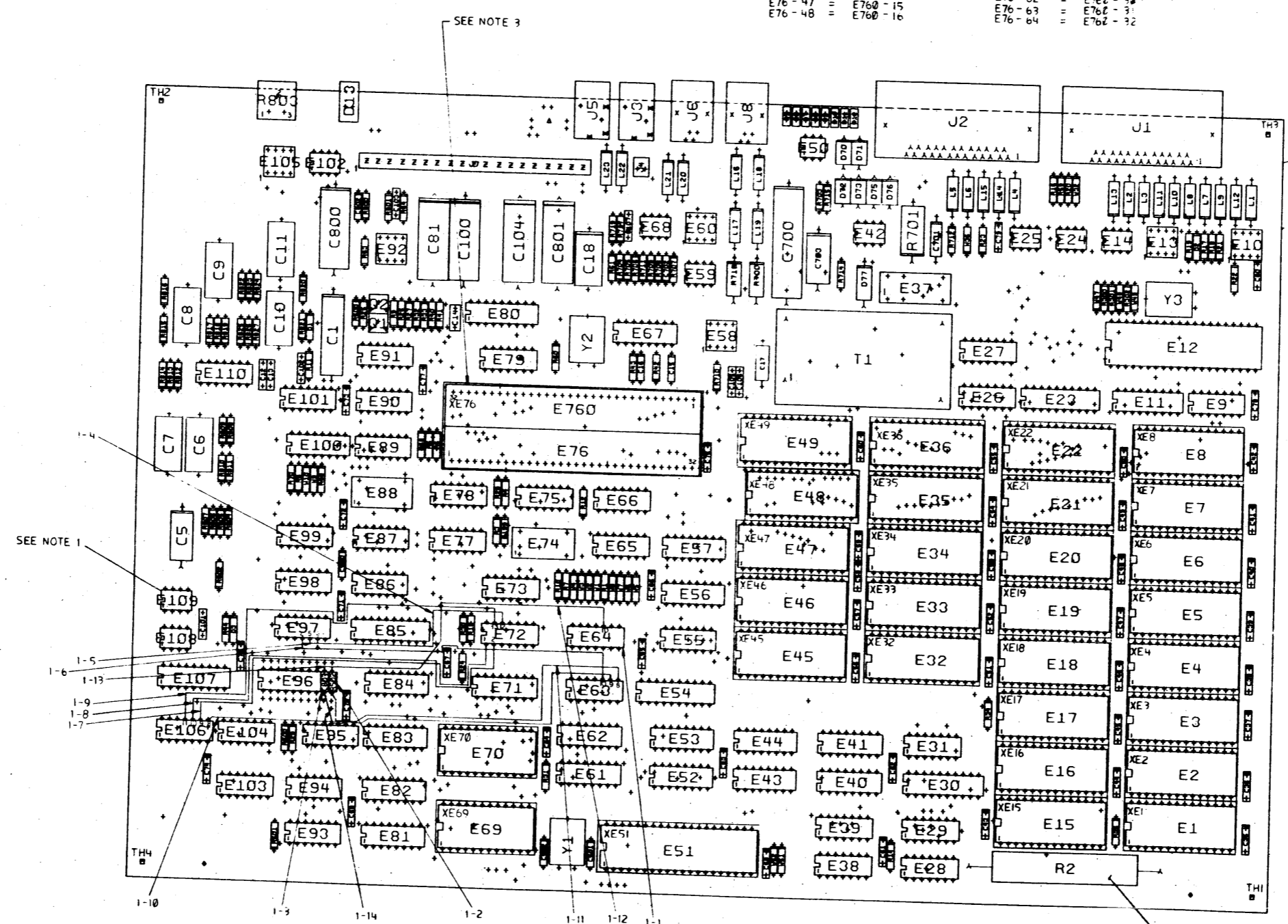
REVISION HISTORY		BASIC PART NO: DTC01		DRN: J. FOLEY		DATE: 1-JUL-83		D I G I T A L	
ENG:	ECO NUMBER	REV	SECTION A OF A	CHK'D:	C. LARSEN	DATE:		TITLE PARTS LIST DTC01 UNIT ASSEMBLY	
	INITIAL	A	SECTION VARIATION INDEX [A]A ,B	DES. ENG:	J. LEWIS	DATE:		DOCUMENT NUMBER	
			[B]	RESP. ENG.:	J. LEWIS	DATE:		SIZE: CODE: NUMBER	REV
			[C]	MFG. ENG.:	J. FAY	DATE:		K PL DTC01-0-DBP	A
			[D]	ASSEMBLY NUMBER:	E-UA-DTC01-0-DBU	TOP DOCUMENT NUMBER:	B-DD-DTC01-0-0	RELEASE DATE: 20-JAN-84	
			[E]			FILE NAME:	77524A.PLS		
			[F]			EDIT #:	6		

"THIS DRAWING AND THE SPECIFICATIONS CONTAINED HEREIN ARE CONFIDENTIAL AND PROPRIETARY. THEY ARE THE PROPERTY OF DIGITAL EQUIPMENT CORPORATION AND SHALL NOT BE REPRODUCED OR COPIED OR USED IN WHOLE OR IN PART AS THE BASIS FOR THE MANUFACTURE OR SALE OF ITEMS WITHOUT WRITTEN PERMISSION. THIS IS AN UNPUBLISHED WORK PROTECTED UNDER THE FEDERAL COPYRIGHT LAWS."



NOTE 3: E76 A64 PINS I.C. IS DESIGNED ON THIS P.C. BOARD AS A SPLIT COMPONENT.  
 PINS 1 THRU 32 ARE LABELED AS E76 PINS ARE AS IS.  
 PINS 33 THRU 64 ARE LABELED AS E760  
 FOR PIN CONFIGURATION OF E76 PINS 33 THRU 64 ARE AS FOLLOWS.

SCHEMATIC	P.C. BD LAYOUT	SCHEMATIC	P.C. BD. LAYOUT
E76-33	E760-1	E76-49	E760-17
E76-34	E760-2	E76-50	E760-18
E76-35	E760-3	E76-51	E760-19
E76-36	E760-4	E76-52	E760-20
E76-37	E760-5	E76-53	E760-21
E76-38	E760-6	E76-54	E760-22
E76-39	E760-7	E76-55	E760-23
E76-40	E760-8	E76-56	E760-24
E76-41	E760-9	E76-57	E760-25
E76-42	E760-10	E76-58	E760-26
E76-43	E760-11	E76-59	E760-27
E76-44	E760-12	E76-60	E760-28
E76-45	E760-13	E76-61	E760-29
E76-46	E760-14	E76-62	E760-30
E76-47	E760-15	E76-63	E760-31
E76-48	E760-16	E76-64	E760-32



digital

DEC TALK

DATE: 11/11/77

DESIGNER: J. B. EDWARDS

CHK. D.: J. B. EDWARDS

MECH. ENG.: J. B. EDWARDS

PROD. ENG.: J. B. EDWARDS

DATE: 11/11/77

SCALE: 1:1

ETCH REV.: C1

REVISIONS

NO. 1

DATE: 11/11/77

BY: J. B. EDWARDS

DESCRIPTION: DIGITAL BOARD

CHANGE NO. REV.

1

2

3

4

5

6

7

8

9

10

11

12

13

14

15

16

17

18

19

20

21

22

23

24

25

26

27

28

29

30

31

32

33

34

35

36

37

38

39

40

41

42

43

44

45

46

47

48

49

50

51

52

53

54

55

56

57

58

59

60

61

62

63

64

65

66

67

68

69

70

71

72

73

74

75

76

77

78

79

80

81

82

83

84

85

86

87

88

89

90

91

92

93

94

95

96

97

98

99

100

101

102

103

104

105

106

107

108

109

110

111

112

113

114

115

116

117

118

119

120

121

122

123

124

125

126

127

128

129

130

131

132

133

134

135

136

137

138

139

140

141

142

143

144

145

146

147

148

149

150

151

152

153

154

155

156

157

158

159

160

161

162

163

164

165

166

167

168

169

170

171

172

173

174

175

176

177

178

179

180

181

182

183

184

185

186

187

188

189

190

191

192

193

194

195

196

197

198

199

200

201

202

203

204

205

206

207

208

209

210

211

212

213

214

215

216

217

218

219

220

221

222

223

224

225

226

227

228

229

230

231

232

233

234

235

236

237

238

239

240

241

242

243

244

245

246

247

248

249

250

251

252

253

254

255

256

257

258

259

260

261

262

263

264

265

266

267

268

269

270

271

272

273

274

275

276

277

278

279

280

281

282

283

284

285

286

287

288

289

290

291

292

293

294

295

296

297

298

299

300

301

302

303

304

305

306

307

308

309

310

311

312

313

314

315

316

317

318

319

320

321

322

323

324

325

326

327

328

329

330

331

332

333

334

335

336

337

338

339

340

341

342

343

344

345

346

347

348

349

350

351

352

353

354

355

356

357

358

359

360

361

362

363

364

365

366

367

368

369

370

371

372

373

374

375

376

377

378

379

380

381

382

383

384

385

386

387

388

389

390

391

392

393

394

395

396

397

398

399

400

401

402

403

404

405

406

407

408

409

410

411

412

413

414

415

416

417

418

419

420

421

422

423

424

425

426

427

428

429

430

431

432

433

434

435

436

437

438

439

440

441

442

443

444

445

446

447

448

449

450

451

452

453

454

455

456

457

458

459

460

461

462

463

464

465

466

467

468

469

470

471

472

473

474

475

476

477

478

479

480

481

482

483

484

485

486

487

488

489

490

491

492

493

494

495

496

497

498

499

500

501

502

503

504

505

506

507

508

509

510

511

512

513

514

515

516

517

518

519

520

521

522

523

524

525

526

527

528

529

530

531

532

533

534

535

536

537

538

539

540

541

542

543

544

545

546

547

548

549

550

551

552

553

554

555

556

557

558

559

560

561

562

563

564

565

566

567

568

569

570

571

572

573

574

575

576

577

578

579

580

581

582

583

584

585

586

587

588

589

590

591

592

593

594

595

596

597

598

599

600

601

602

603

604

605

606

607

608

609

610

611

612

613

614

615

616

617

618

619

620

621

622

623

624

625

626

627

628

629

630

631

632

633

634

635

636

637

638

639

640

641

642

643

644

645

646

647

648

649

650

651

652

653

654

655

656

657

658

659

660

661

662

663

664

665

666

667

668

669

670

671

672

673

674

675

676

677

678

679

680

681

682

683

684

685

686

687

688

689

690

691

692

693

694

695

696

697

698

699

700

701

702

703

704

705

706

707

708

709

710

711

712

713

714

715

716

717

718

719

720

721

722

723

724

725

726

727

728

729

730

731

732

733

734

735

736

737

738

739

740

741

742

743

744

745

746

747

748

749

750

751

752

753

754

755

756

757

758

759

760

761

762

763

764

765

766

767

768

769

770

771

772

773

774

775

776

777

778

779

780

781

782

783

784

785

786

787

788

789

790

791

792

793

794

795

796

797

798

799

800

801

802

803

804

805

806

807

808

809

810

811

812

813

814

815

816

817

818

819

820

821

822

823

824

825

826

827

828

829

830

831

832

833

834

835

836

837

838

839

840

841

842

843

844

845

846

847

848

849

850

851

852

853

854

855

856

857

858

859

860

861

862

863

864

865

866

867

868

869

870

871

872

873

874

875

876

877

878

879

880

881

882

883

884

885

886

887

888

889

890

891

892

893

894

895

896

897

898

899

900

901

902

903

904

905

906

907

908

909

910

911

912

913

914

915

916

917

918

919

920

921

922

923

924

925

926

927

928

929

930

931

932

933

934

935

936

937

938

939

940

941

942

943

944

945

946

947

948

949

950

951

952

953

954

955

956

957

958

959

960

961

962

963

964

965

966

967

968

969

970

971

972

973

974

975

976

977

978

979

980

981

982

983

984

985

986

987

988

989

990

991

992

993

994

995

996

997

998

999

1000

SEE NOTE 1

SEE NOTE 3

SEE NOTE 2

NOTES: 1. SPARE IC LOCATIONS ARE:  
 2. FOR THE BOARD TO BE USED IN THE BOARD.  
 3. FOR THE BOARD TO BE USED IN THE BOARD.

4415966-D-B

REVISION HISTORY  
ECO NUMBER DATE

**REWORK INSTRUCTIONS:**

**ECO #1, SIDE 1:**

**COMPONENT ADDS & DELETES:**

- 1-1. REMOVE E64 (P/N 191254-00), ADD E64 (P/N 1912324-00).
- 1-2. INSERT RESISTOR R502 (P/N 1302602-00) BETWEEN E96-10 AND E96-11.
- 1-3. INSERT CAPACITOR C803 (P/N 1010978-24) BETWEEN E96-9 AND E96-12.
- 1-4. CONNECT E72-12 TO E77-5 WITH WIRE.
- 1-5. CONNECT E97-5 TO E77-6 WITH WIRE.
- 1-6. CONNECT E97-4 TO E77-10 WITH WIRE.
- 1-7. CONNECT E72-1 TO E77-9 WITH WIRE.
- 1-8. CONNECT E72-2 TO E77-10 WITH WIRE.
- 1-9. CONNECT E72-13 TO E77-11 WITH WIRE.
- 1-10. CONNECT E106-3 TO E77-9 WITH WIRE.
- 1-11. CONNECT E63-8 TO R502 BOTTOM PIN (E95 SIDE) WITH WIRE.
- 1-12. CONNECT R502 TOP PIN (E97 SIDE) TO E64-10 WITH WIRE.
- 1-13. CONNECT R502 TOP PIN (E97 SIDE) TO C803 TOP PIN (E97 SIDE) WITH WIRE.
- 1-14. CONNECT C803 BOTTOM PIN (95 SIDE) TO C70 BOTTOM PIN (95 SIDE) WITH WIRE.

J  
H  
F  
E  
D  
C  
B  
A

J  
H  
F  
E  
D  
C  
B  
A

REVISION HISTORY	
ECO NUMBER	DATE

PARTS LIST

LINE	ITEM	TOP DOCUMENT	PART NUMBER	MIN REV	DESCRIPTION	QTY	PER VARIATION	REFERENCE DESIGNATOR
1	1	B-DD-5015965-01	5015965-01		CIRCUIT DRILL AND ETCH BOARD	1		
2	2		1002781-00		100 MFD 25V +75-10% AL EL	3		C81,C100,C104
3	3		1005784-00		.01 MFD 100V 200V 10% MYL	1		C17
4	4		1009433-00		190 MFD 12V +75-10% AL EL	2		C800,C801
5	5		1010978-36		.1 MFD 50V 10% CER	1		C14
6	6		1012084-01		8 MFD 25V +75-10% AL EL	2		C5,C703
7	6		1012784-00		.047 MFD 50V +80-20% CER	54		C12,C13,C35-C80,C101-C103,
8	9		1013466-01		10.0 MMF 50V 5% CER	2	CONT	C105-C107
9	10		1013466-08		680.0 MMF 50V 10% X7R CER	2		C501,C502
10	11		1013466-09		1000.0 MMF 50V 10% X7R CER	1		C15,C16
11	12		1013466-11		.22 MFD 50V +80-20% Z5U CER	1		C802
12	13		1013466-18		330.0 MMF 50V 5% CER	1		C701
13	14		1013466-22		.1 MFD 50V +80-20% Z5U CER	1		C500
14	15		1021004-01		1 MFD 200V 20% MET.MYLR	1		C702
15	16		1102421-00		VZ= 6.2 5% 400 MW 1N753A	2		C700
16	17		1103340-00		VZ= 6.8 5% 1 W 1N4736A	2		D2,D3
17	16		1105796-00		PIV= 400 10= 1.00A 1N4004 DO-41	4		D75,D76
18	19		1114958-00		TRANS.SUPP. 24V 1N6048	1		D70-D73
19	20		1114136-00		LED 16MA 5V	8		D77
20	21		1117373-00		LED ASSY GREEN	1		D5-D12
21	22		1219679-05		CONN,D SUB 25PIN ASSY RT ANGLE P	2		D13
22	23		1216652-13		PCB,HEADER 19PIN(1X19).156CC STR	1		J1,J2
23	24		1218826-01		CONN,PHONE JACK 06 POS	2		J7
24	25		1219251-00		PCB,HEADER 02PIN(1X02).100CC STR	1		J6,J8
25	26		1220156-01		RLY,MINI 9.6V COIL	1		J4
26	27		1220912-01		CONN,PHONE JACK 2POS PC	2		E37
27	28		1300229-00		100.0 .25 W 5.0 % CF	1		J3,J5
28	29		1300316-00		470.0 .25 W 5.0 % CF	3		R59
29	30		1300365-00		1.0 K .25 W 5.0 % CF	25		R5,R6,R13

REVISION HISTORY		BASIC PART NO: 5415966	
ENGI	ECO NUMBER	IREV	SECTION A OF A
IR-EL	INITIAL	A	SECTION VARIATION INDEX
IR-EL	5415966-ML001	B	[A] 00
			[B]
			[C]
			[D]
			[E]
			[F]
			[G]
			[H]
			[J]
			[K]
			[L]
			[M]
			[N]

DRN:	V.MANGAUDIS	DATE:	10-AUG-83
CHK'D:	P.BOSSMAN	DATE:	10-AUG-83
DES.ENG:	R.ELLISON	DATE:	10-AUG-83
RESP.ENG.:	E.BRUCKERT	DATE:	10-AUG-83
MFG.ENG.:	B.WOODARD	DATE:	
ASSEMBLY NUMBER:	ID-JA-5415966-0-0	TOP DOCUMENT NUMBER:	#B-DD-5415966-01
		FILE NAME:	Z5939B.PLS
		EDIT #:	22

THIS DRAWING AND THE SPECIFICATIONS CONTAINED HEREIN ARE CONFIDENTIAL AND PROPRIETARY. THEY ARE THE PROPERTY OF DIGITAL EQUIPMENT CORPORATION AND SHALL NOT BE REPRODUCED OR COPIED OR USED IN WHOLE OR IN PART AS THE BASIS FOR THE MANUFACTURE OR SALE OF ITEMS WITHOUT WRITTEN PERMISSION. THIS IS AN UNPUBLISHED WORK PROTECTED UNDER THE FEDERAL COPYRIGHT LAWS.

ML3

LINE ITEM	TOP DOCUMENT	PART NUMBER	MIN REV	DESCRIPTION	VARIATION REVISION LEVEL:	QTY PER VARIATION	REFERENCE DESIGNATOR
						00	
30	31	1300398-00		1.80 K .25 W 5.0 %	CF	1	CONT R28-R31,R34,R35,R60,R68,R70,
31	32	2120067-01		68000 MICROPROCESSOR,16BIT		1	CONT R199,R300-R302,R500,R501,R600
32	33	1919769-02		2283B AMPLIFIER,AUDIO 8PIN		1	R712
33	34	1302685-00	909.0	.25 W 1.0 % RN55D-F10		1	E76
34	35	1300479-00	10.0 K	.25 W 5.0 %	CF	3	E105
35	36	1300488-00	12.0 K	.25 W 5.0 %	CF	5	R27
36	37	1300521-00	47.50 K	.25 W 1.0 % RN55D-F10		2	R21,R22,R714
37	38	1311845-00	487.0	.25 W 1.0 % RN55D-F10		1	R17-R20,R23
38	39	1301425-00	300.0	.25 W 5.0 %	CF	1	R708,R709
39	40	1301972-00	270.0	.25 W 5.0 %	CF	1	R25
40	41	1302391-00	20.0 K	.25 W 5.0 %	CF	2	R16
41	42	1309413-00	3.83 K	.25 W 1.0 % RN55D-F10		1	R44
42	43	1302856-00	60.40	.25 W 1.0 % RN55D-F10		1	R703,R717
43	44	1303044-00	100.0 K	.25 W 1.0 % RN55D-F10		1	R26
44	45	1303047-00	464.0	.25 W 1.0 % RN55D-F10		1	R704
45	46	1303312-00	10.0 K	.25 W 1.0 % RN55D-F10		1	R63
46	47	1304837-00	24.0 K	.25 W 5.0 %	CF	1	R809
47	48	1309420-00	8.25 K	.25 W 1.0 % RN55D-F10		1	R719
48	49	1304854-00	5.11 K	.25 W 1.0 % RN55D-F10		1	R802
49	50	1304870-00	6.81 K	.25 W 1.0 % RN55D-F10		1	R33
50	51	1305324-00	4.99 K	.25 W 1.0 % RN55D-F10		1	R820
51	52	1309595-00	1.0 M	.25 W 5.0 %	CF	2	R821
52	53	1311320-00		*** THIS ITEM IS NOT USED ***		-	R804
53	54	1311594-00	30.10 K	.25 W 1.0 % RN55D-F10		3	R42,R43
54	55	1311842-00		*** THIS ITEM IS NOT USED ***		-	R706,R711,R710
55	56	1312480-00	1.54 K	.25 W 1.0 % RN55D-F10		1	R814
56	57	1312930-00	5.10 K	.25 W 5.0 %	CF	1	R41
57	58	1313152-00	60.40 K	.25 W 1.0 % RN55D-F10		1	R705
58	59	1313476-00	51.10 K	.25 W 1.0 % RN55D-F10		1	R807
59	60	1313584-00	158.0	.25 W 1.0 % RN55D-F10		1	R808
60	61	1313592-00	4.87 K	.25 W 1.0 % RN55D-F10		2	R811,R823
61	62	1313596-00	20.0 K	.25 W 1.0 % RN55D-F10		1	R11
62	63	1314041-00		*** THIS ITEM IS NOT USED ***		-	
63	64	1314187-00	6.19 K	.25 W 1.0 % RN55D-F10		1	R818
64	65	1314988-00	6.65 K	.25 W 1.0 % RN55D-F10		1	R64
65	66	1315012-00	300.0 K	.25 W 5.0 %	CF	1	R40
66	67	1315096-00	1.87 K	.25 W 1.0 % RN55D-F10		1	R812
67	68	1316836-00	402.0	.25 W 1.0 % RN55D-F10		1	R707
68	69	1301320-00	1.20 K	.25 W 5.0 %	CF	1	R801
69	70	1318247-00	510.0	.25 W 5.0 %	CF	1	R58
70	71	1321032-01	10.0 K		POT	1	R803
71	72	1509524-00	2N 3904	NPN 310MW SI 40 40 M		1	Q1
72	73	1509525-00	2N 3906	PNP 310MW SI 40100 Y		1	Q2
73	74	1619922-01		XFMRA RATIO=1:92		1	T1
74	75	1809880-00		XTAL 20.000 MHZ		1	Y1
75	76	1811660-00		OSCILLATOR, XTAL 20.000 MHZ		1	E74

D	I	G	I	T	A	L	TITLE	DEC TALK	SECTION A	OF A	SIZE	CODE	DOCUMENT NUMBER	REV
											K	PL	5415966-01-DBP	B



AUTOMATED BY PRTLS1.4Q(50)

PARTS LIST

SHEET A3 OF A4

LINE	ITEM	TOP DOCUMENT	PART NUMBER	MIN REV	DESCRIPTION	QTY	PER VARIATION	REFERENCE DESIGNATOR
						00		
76	77		1812396-14		XTAL 3.579545MHZ	1		Y2
77	78		1812396-16		XTAL 3.6864 MHZ	1		Y3
78	79		1910298-00		741 OP AMP GEN PURP. COM	7		E58-E60,E68,E92,E102,E108
79	80		1910406-00		75451 DRIVER,PERIPH,DUAL,	1		E42
80	81		1910533-00		74S03 NAND GATE-QUAD 2IN,0	1		E73
81	82		1910534-00		74S04 INVERTER GATE-HEX 1I	2		E78,E98
82	83		1910536-00		74S10 NAND GATE-TRIPLE 3IN	1		E72
83	84		1910537-00		74S11 AND GATE-TRIPLE 3INP	1		E101
84	85		1911675-00		74S138 DECODER/DEMUX 3-8 LI	1		E57
85	86		1912389-00		74S08 AND GATE-QUAD 2IN,PO	3		E39,E86,E91
86	87		1916139-00		LS126A BUS DRIVER,QUAD	3		E28,E55,E94
87	88		1912697-00		LS174 FF-D HEX W/CLEAR	2		E81,E83
88	89		1912799-00		LS00 NAND-GATE-QUAD 2IN,P	2		E31,E93
89	90		1912801-00		LS02 NOR-GATE-QUAD 2IN	2		E26,E97
90	91		1912803-00		LS04 INVERTER GATE,HEX	2		E87,E89
91	92		1912805-00		LS08 AND GATE-QUAD 2IN,PO	1		E65
92	93		1912813-00		LS27 NOR GATE-TRIPLE 3IN	3		E38,E104,E106
93	94		1912816-00		LS32 OR GATE-QUAD 2IN,POS	3		E9,E27,E90
94	95		1912824-00		LS74 FF-D DUAL,EDGE TRIGG	5		E29,E95,E103,E75,E64
95	96		1912842-00		LS138 DECODER-THREE INPUT,	1		E56
96	97		1912863-00		LS273 FF-D OCTAL W/CLEAR	1		E23
97	98		1913340-00		74S32 OR GATE-QUAD 2IN	3		E63,E77,E99
98	99		1913414-00		LS14 INVERTER GATE-HEX SC	1		E79
99	100		1915193-00		LS244 DRIVER,LINE,OCTAL,T	3		E30,E54,E85
100	101		1915415-00		9636 DRIVER,DUAL,EIA RS-	2		E10,E13
101	102		1919018-00		LS143 PRIORITY ENCODER,8 T	1		E100
102	103		1919542-01		9639 RECEIVER,LINE,DUAL	3		E14,E24,E25
103	104		2117006-00		7541KM CMOS 12BIT D TO ,A	1		E107
104	105		2119876-01		8860 DTMF DECODER CMOS	1		E80
105	106		2120263-01		2212 RAM 256X4 NON-VOLATI	1		E11
106	107		2120321-01		320 SIGNAL PROCESSOR	1		E51
107	108		9009185-00		JUMPER, WIRE, INSULATED, BLACK B	8		W51,W2,W4,W6,W8,W9,W32,W36
108	109		1000002-03		180 MFD 15V 10% S.TANT	1		C1
109	110		1017891-00		.01 MFD 50V 1% POLYPROP	7		C6-C11,C18
110	111		1100100-00		PIV= 25 IO=100 MA -50NS	1		D1
111	112		2121384-02		RAM 8KX8,STATIC 150	6		E34-E36,E47-E49
112	113		1921241-01		74LS224 16X4 FIFO MEMORY 3-S	11		E40,E41,E43,E44,E52,E53,E61,E62,
113	114		1913009-00		4M36 OPTO COUPLED ISLTR	1	COMT	E71,E82,E84
114	115		1913933-00		3403 OP AMP,QUAD	1		E50
115	116		1302394-00		*** THIS ITEM IS NOT USED ***	1		E110
116	117		1300487-00		12.0 K .50 W 5.0 % CF	2		R700,R718
117	118		1302862-00		50.0 .25 W 1.0 % RN55D-F10	1		R715
118	119		1302859-00		5.76 K .25 W 1.0 % RN55D-F10	2		R800,R815
119	120		1313598-00		32.40 K .25 W 1.0 % RN55D-F10	1		R806
120	121		1313589-00		1.40 K .25 W 1.0 % RN55D-F10	2		R810,R822
121	122		1313595-00		17.40 K .25 W 1.0 % RN55D-F10	1		R816
122	123		1304868-00		2.74 K .25 W 1.0 % RN55D-F10	1		R817

D	I	G	I	T	A	L	TITLE	SECTION A	OF A	SIZE	CODE	DOCUMENT NUMBER	REV
							DEC TALK			K	PL	5415966-01-DBP	B

AUTOMATED BY PRTLST.4Q(50)

PARTS LIST

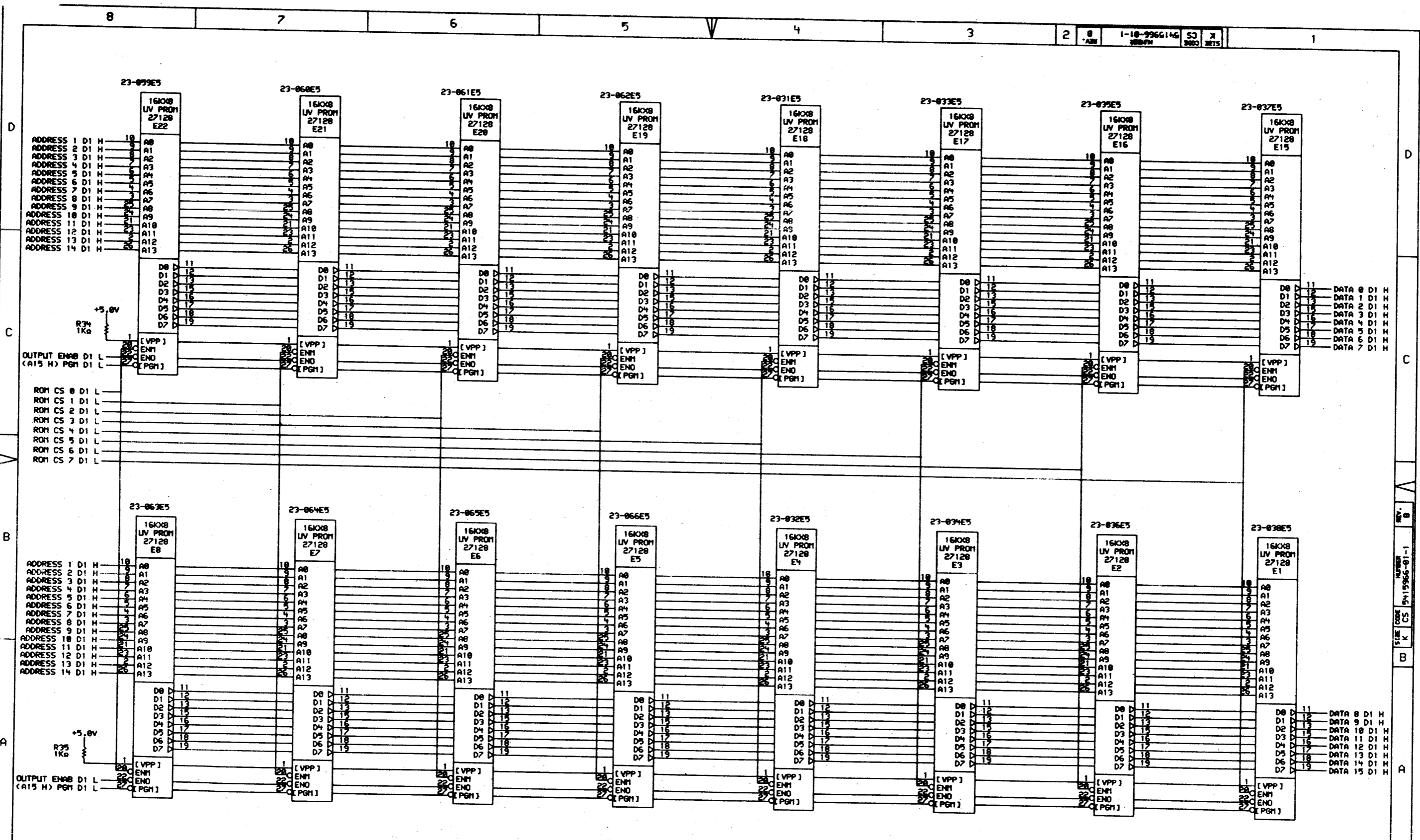
SHEET A4 OF A4

LINE ITEM	TOP DOCUMENT	PART NUMBER	MIN REV	DESCRIPTION	VARIATION REVISION LEVEL:	QTY PER VARIATION	REFERENCE DESIGNATOR
						00	
123	124	1305145-00		2.80 K	.25 W 1.0 & RN55D-F10	1	
124	125	1302311-00		3.32 K	.25 W 1.0 & RN55D-F10	2	R819
125	126	1301981-00		2.94 K	.25 W 1.0 & RN55C-F 5	1	R824,R825
126	127	1618238-02		BEAD,FERRITE	.1380DX.330LG	19	R827
127	128	1215006-07		SKT,IC	28PIN DIP TIN SOLD	26	L1,L2,L4,L5,L7-L15,L17,L19-L23
128	129	23165F4-00		F4-01			CONT XE1-XE8,XE15-XE22,XE32-XE36,
129	130	23166F4-00		F4-01		1	XE45-XE49
130	131	23059E5-00		E5-02		1	E69
131	132	23063E5-00		E5-02		1	E70
132	133	23060E5-00		E5-02		1	E22
133	134	23064E5-00		E5-02		1	E8
134	135	23061E5-00		E5-02		1	E21
135	136	23065E5-00		E5-02		1	E7
136	137	23062E5-00		E5-02		1	E20
137	138	23066E5-00		E5-02		1	E6
138	139	23031E5-00		E5-02		1	E19
139	140	23032E5-00		E5-02		1	E5
140	141	23033E5-00		E5-02		1	E18
141	142	23034E5-00		E5-02		1	E4
142	143	23035E5-00		E5-02		1	E17
143	144	23036E5-00		E5-02		1	E3
144	145	23037E5-00		E5-02		1	E16
145	146	23038E5-00		E5-02		1	E2
146	147	1609477-00		10. UH 10% 450MA	#SWD10	1	E15
147	149	1910544-00		74S74	FF-D DUAL,EDGE TRIGG	2	E1
148	150	2119875-01		8865	DTMF FILTER CMOS	1	L16,L18
149	151	2120068-01		2681	REC./TRANS.,ASYNC.,D	1	E66
150	152	1821631-01		OSCILLATOR,	XTAL 10.0 KHZ	1	E67
151	153	1312993-00		20.0	1.0 W 5.0 & CC	1	E12
152	154	1304866-00		2.0 K	.25 W 1.0 & RN55D-F10	1	E88
153	155	1313583-00		150.0	.25 W 1.0 & RN55D-F10	1	R701
154	156	1215006-06		SKT,IC	24PIN DIP TIN SOLD	2	R32
155	157	1215006-08		SKT,IC	40PIN DIP TIN SOLD	1	R9
156	158	1221261-01		SKT,IC	64PIN DIP GOLD	1	XE69,XE70
157	159	1300447-00		4.70 K	.25 W 5.0 & CF	1	XE51
158	160	1302602-00		56.0	.25 W 5.0 & CF	1	XE76
159	161	1010978-24		.01 MFD	50V 10% CER	1	R61
160	162	9105740-55		WIRE(WRAP)	30AWG KYNAR UL14 A/R	1	R502
							C803

D	I	G	I	T	A	L	TITLE	DEC TALK	SECTION A	OF A	SIZE	CODE	DOCUMENT NUMBER	REV
											K	PL	5415966-01-DBP	B







THIS DRAWING AND SPECIFICATIONS  
 ARE THE PROPERTY OF  
 DIGITAL EQUIPMENT CORPORATION AND  
 ARE NOT TO BE REPRODUCED OR  
 TRANSMITTED IN ANY FORM OR BY  
 ANY MEANS, ELECTRONIC OR MECHANICAL,  
 INCLUDING PHOTOCOPYING, RECORDING,  
 OR BY ANY INFORMATION STORAGE  
 AND RETRIEVAL SYSTEM, WITHOUT  
 PERMISSION IN WRITING FROM  
 DIGITAL EQUIPMENT CORPORATION.

REVISIONS	
CHK	CHANGE NO. REV



DRN. R. ELLISON DATE 07-FEB-81  
 CHK'D P. BOSSMAN DATE 02-FEB-81  
 TITLE: DEC TALK

SIZE CODE NUMBER REV.  
 K CS 5415966-01-1 B

FIRST USED ON OPTION MODEL: DTC01-A B-DD-5415966-01

8 7 6 5 4 3 2 1-10-9966146 CS K 3E13 1

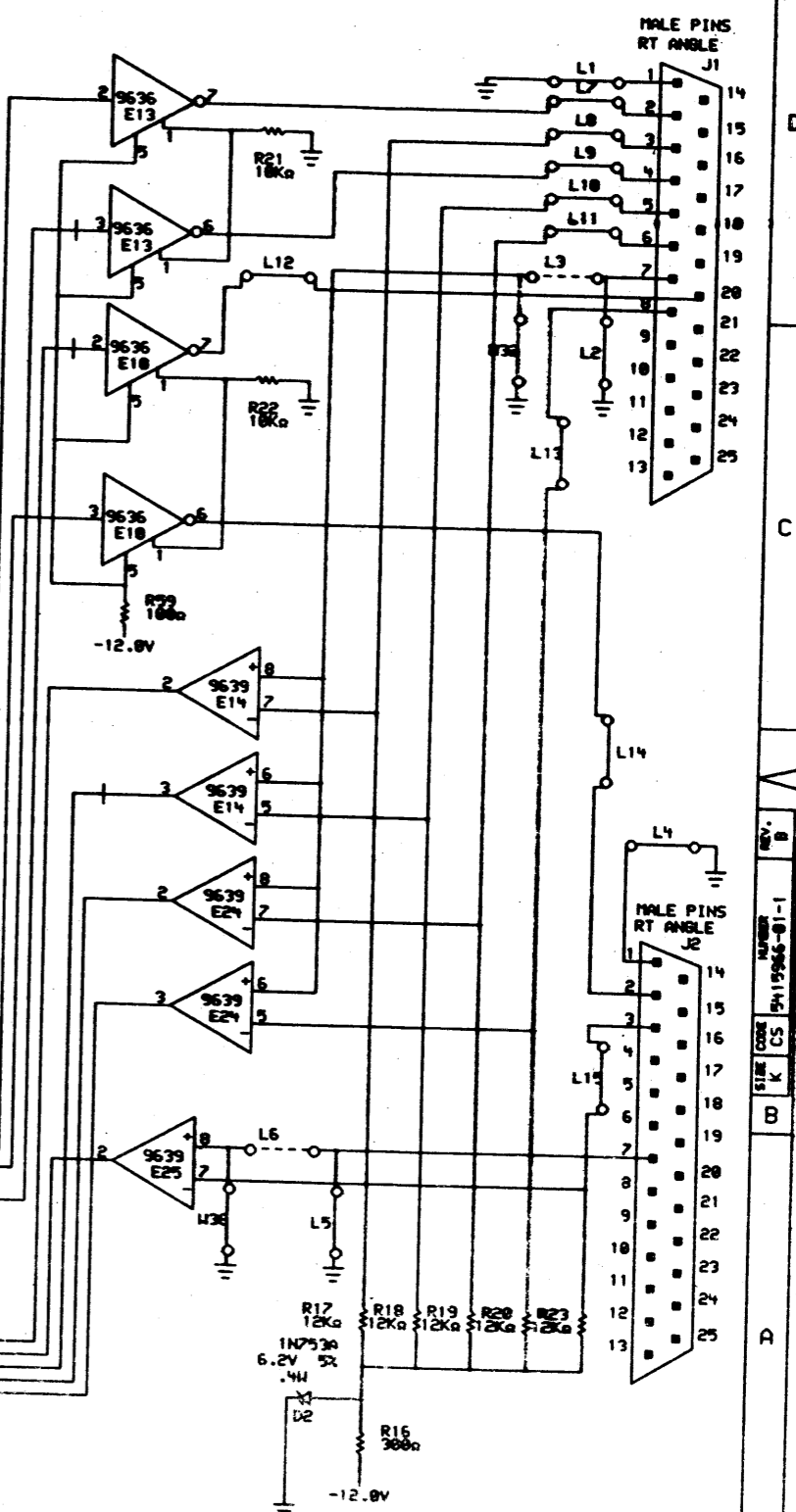
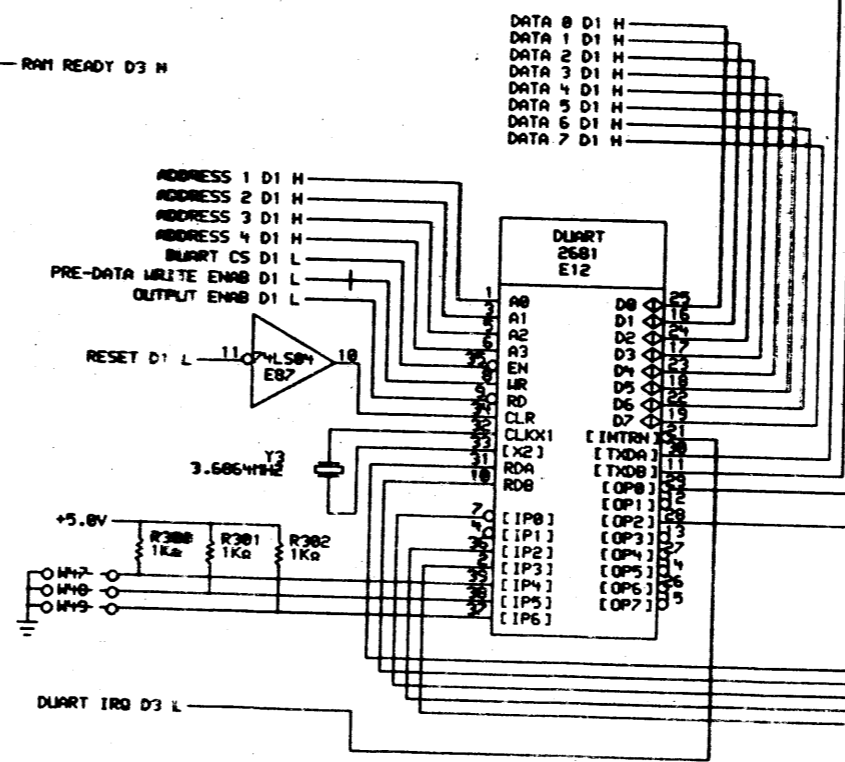
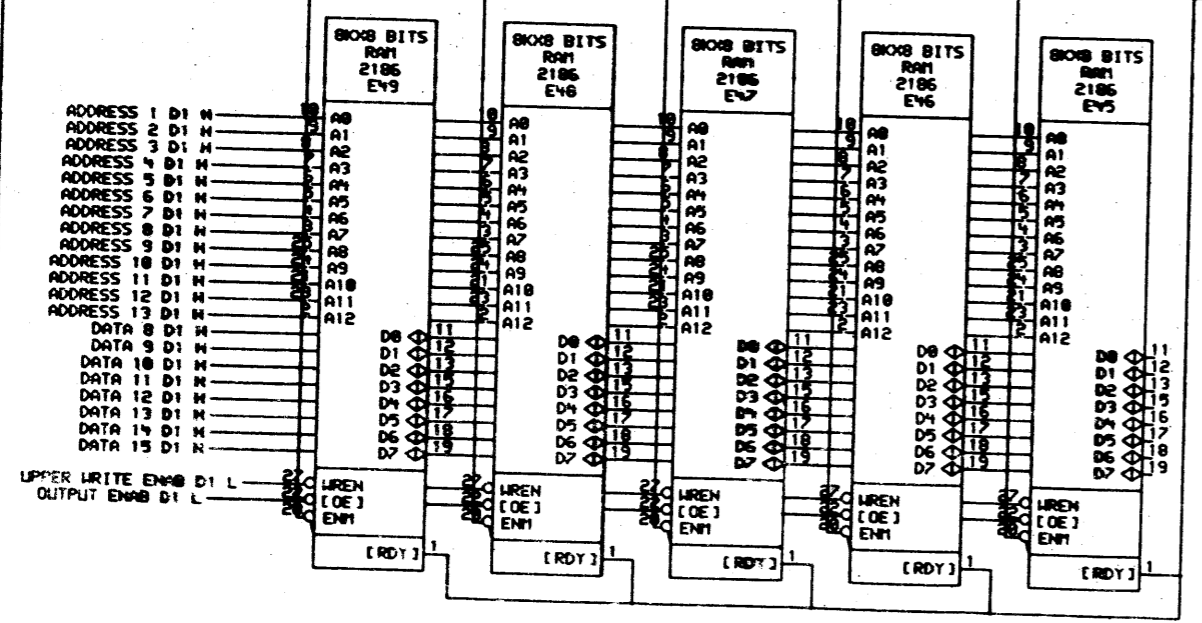
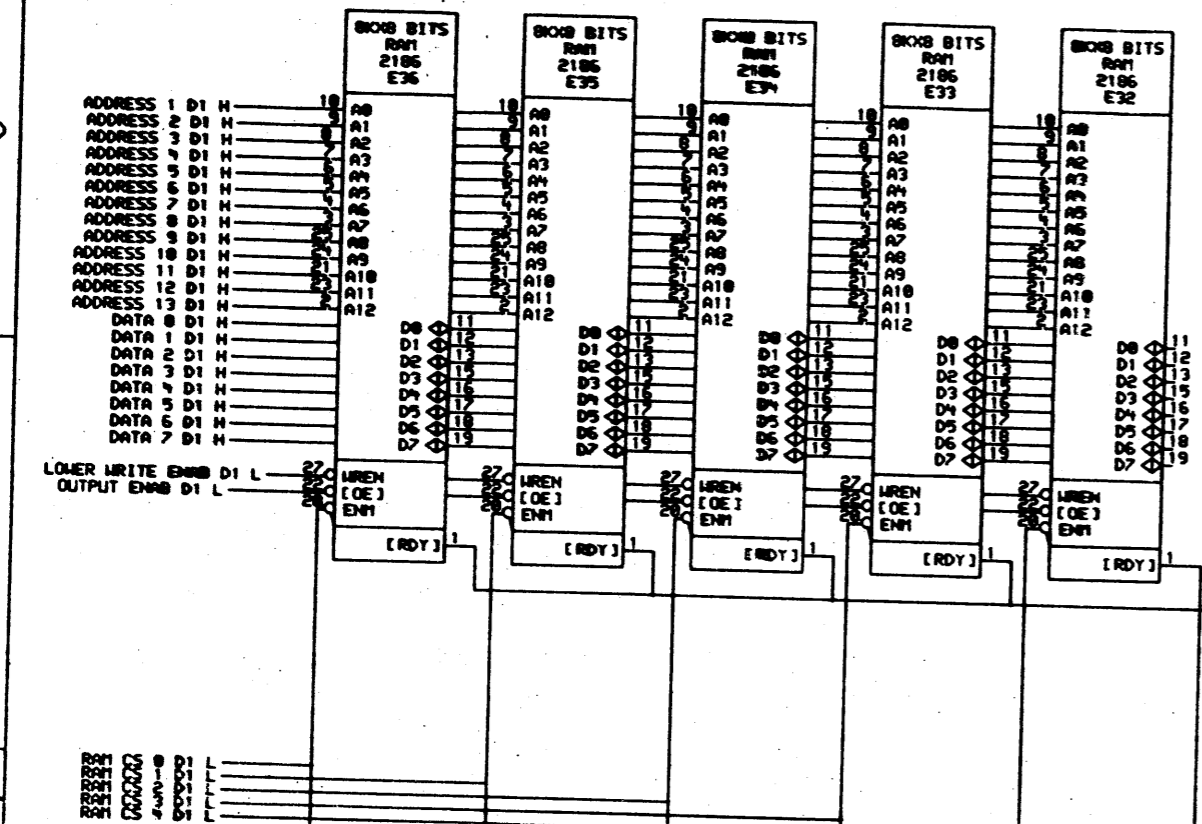
8 7 6 5 4 3 2 1

PIN 1 CONNECTS TO PIN 26 ON RAMS  
FOR STATIC RAM COMPATIBILITY

1-10-9966146 CS K  
5880 2115

NOTE:

PIN	EIA CKT	CCITT CKT	DESCRIPTION
1	181	181	PROTECTIVE GROUND
2	182	182	TRANSMITTED DATA
3	183	183	RECEIVED DATA
4	184	184	REQUEST TO SEND
5	185	185	CLEAR TO SEND
6	186	186	DATA SET READY
7	187	187	SIGNAL GROUND
8	188	188	RECEIVED LINE SIGNAL
9	189	189	DATA TERMINAL READY

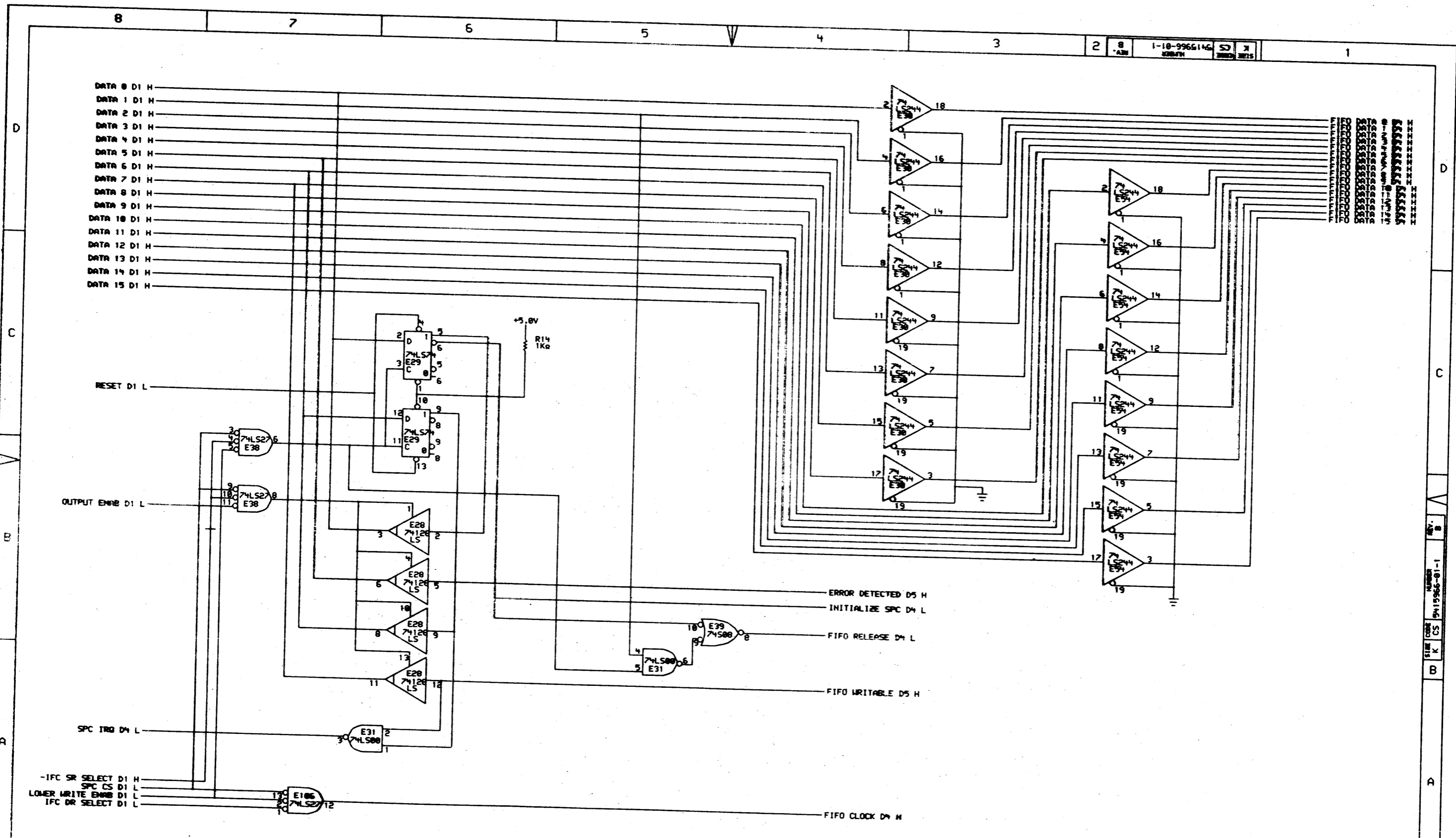


REVISIONS

CHK	CHANGE NO.	REV

digital

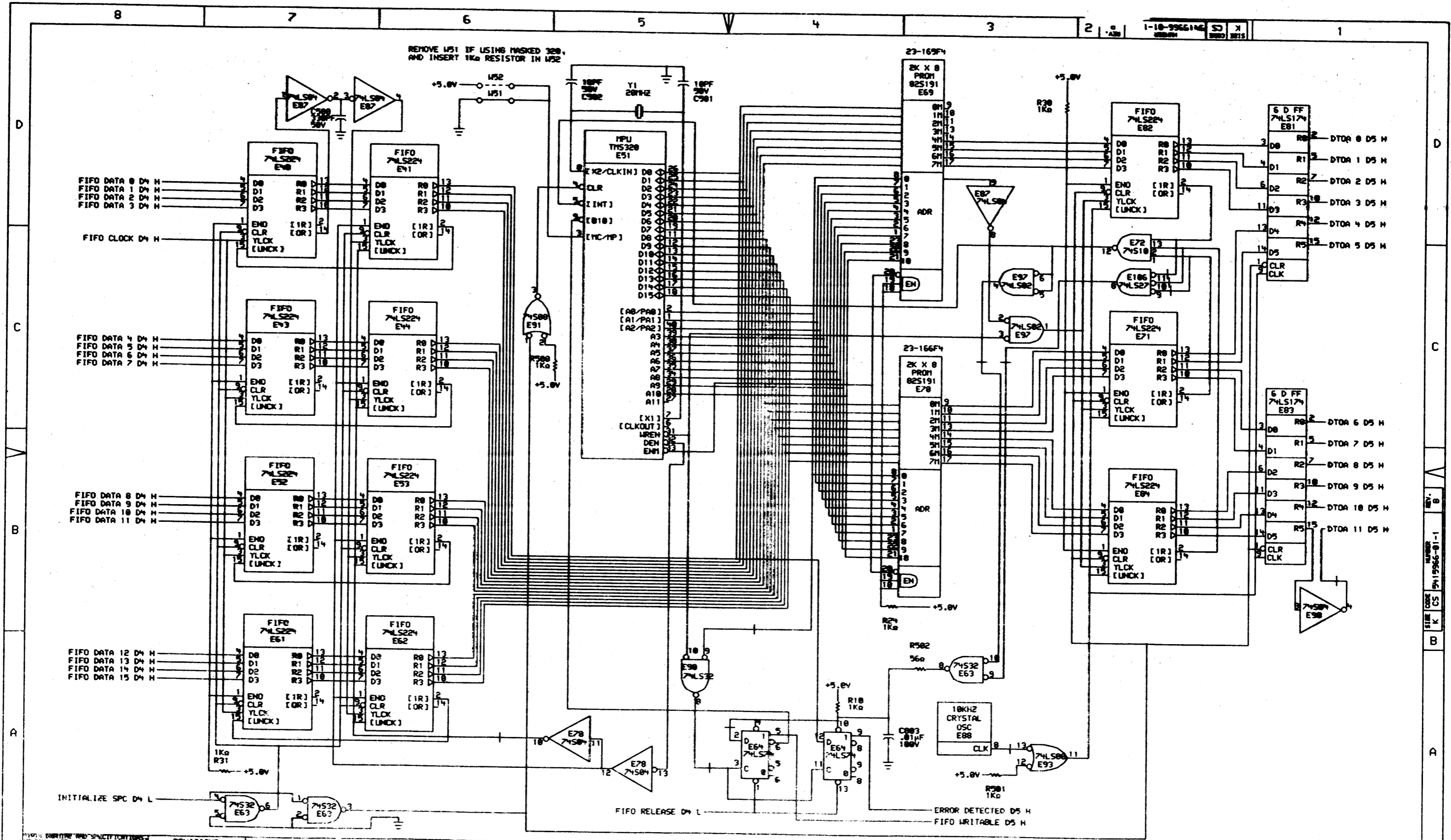
DRM: R. ELLISON	DATE: 12-FEB-81	ENG: R. ELLISON	DATE: 12-FEB-81	TITLE: DEC TALK
CHK'D: P. BRUCKERT	DATE: 12-FEB-81	DRG: P. BRUCKERT	DATE: 12-FEB-81	SIZE: K CS
FIRST USED ON OPTION MODEL: DFC01-A				NUMBER: 5415966-01-1
NEXT HIGHER ASSEMBLY: B-00-5415966-01				REV: B



REVISIONS	
CHK	CHANGE NO., REV

	DRN. R. ELLISON	DATE 27-FEB-81	ENG. R. ELLISON	DATE 27-FEB-81	TITLE: DEC TALK
	CHK'D BOSSMAN	DATE 27-FEB-81	NO. 4	OF 18	
FIRST USED ON OPTION MODEL: DTC01-A					NEXT HIGHER ASSEMBLY: B-DD-5415966-01
SIZE	CODE	NUMBER	REV.		
K	CS	5415966-01-1	B		

1-10-9966-01-1  
 K CS  
 REV. B  
 5415966-01-1  
 K CS  
 REV. B

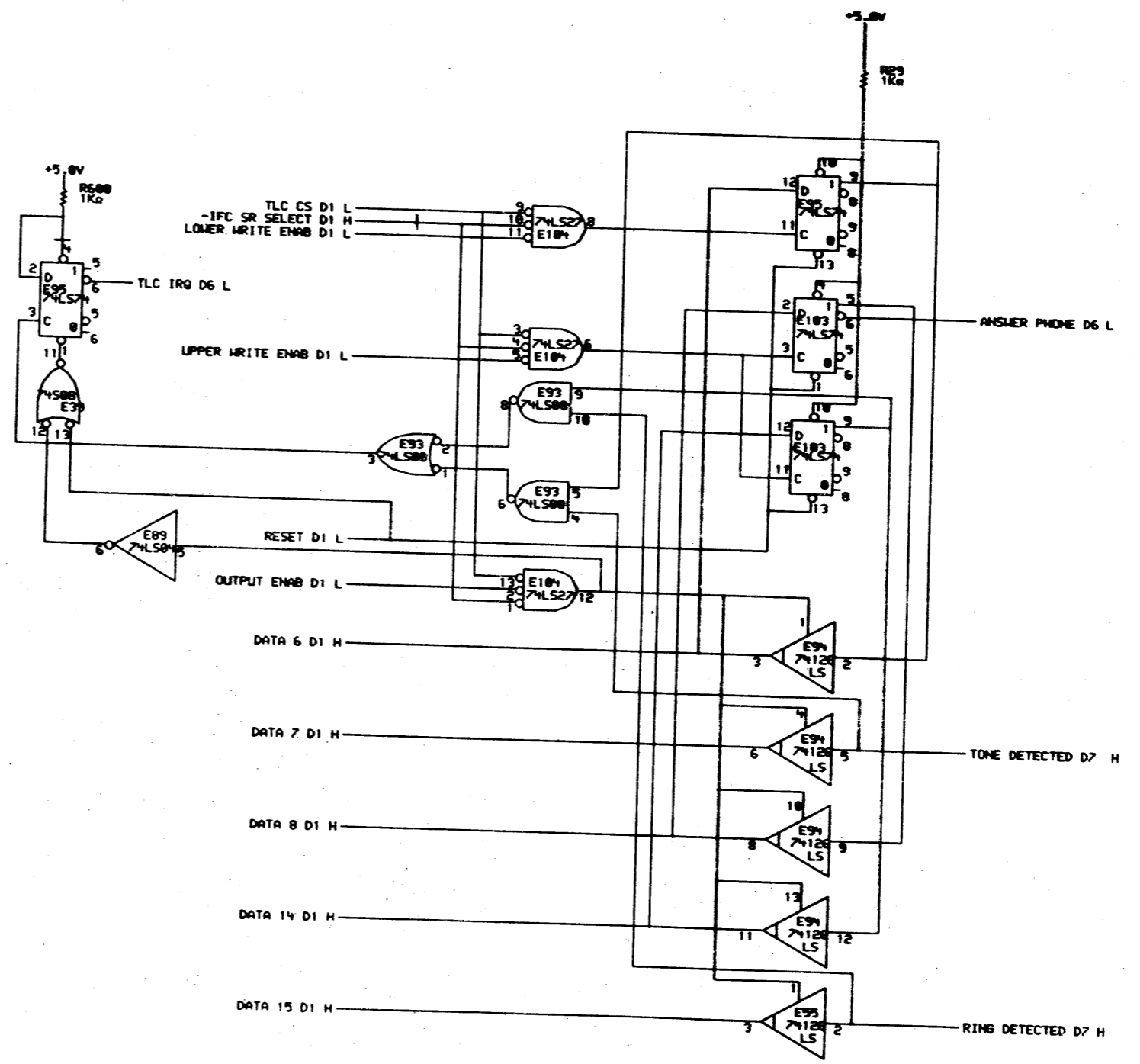
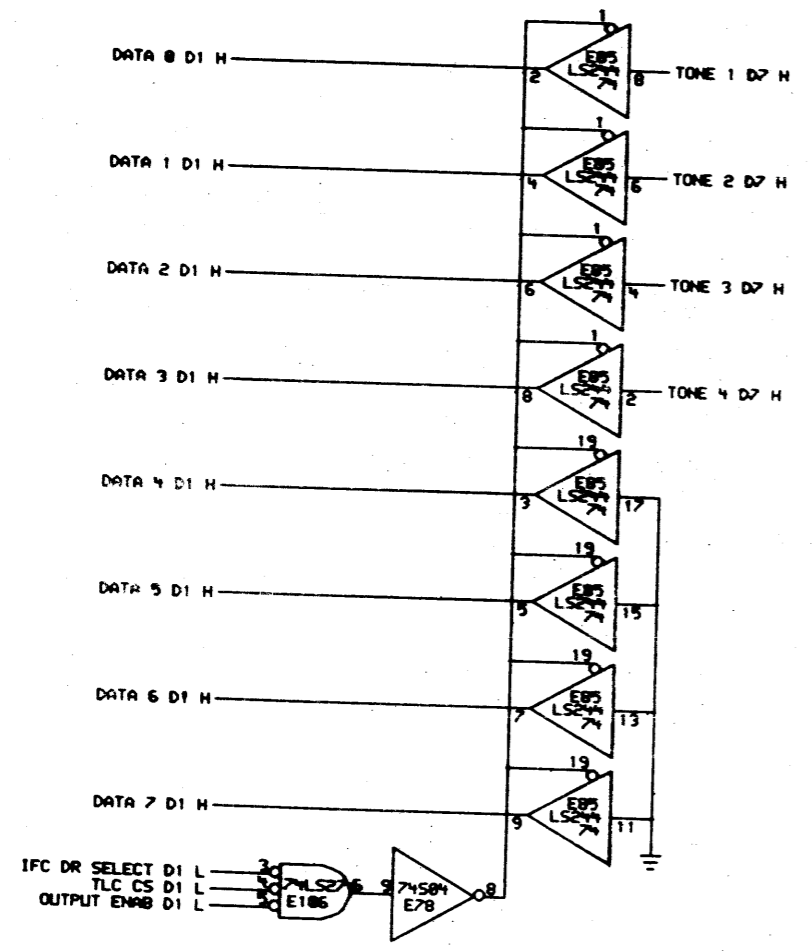


REVISIONS

NO.	DESCRIPTION	DATE
1	INITIAL DESIGN	11-1-77
2	REVISED FOR MANUFACTURE	11-1-77

DRN. R. ELLISON	DATE 22-FEB-78	ENG. R. ELLISON	DATE 22-FEB-78	TITLE: DEC TALK
CHK'D P. BOSSMAN	DATE 23-FEB-78	DESIGN LOCATION:		
FIRST USED ON OPTION MODEL: DTC01-A	DATE 11-1-77	NEXT HIGHER ASSEMBLY:		
		SIZE CODE	NUMBER	REV.
		K CS	5415966-R1-1	B

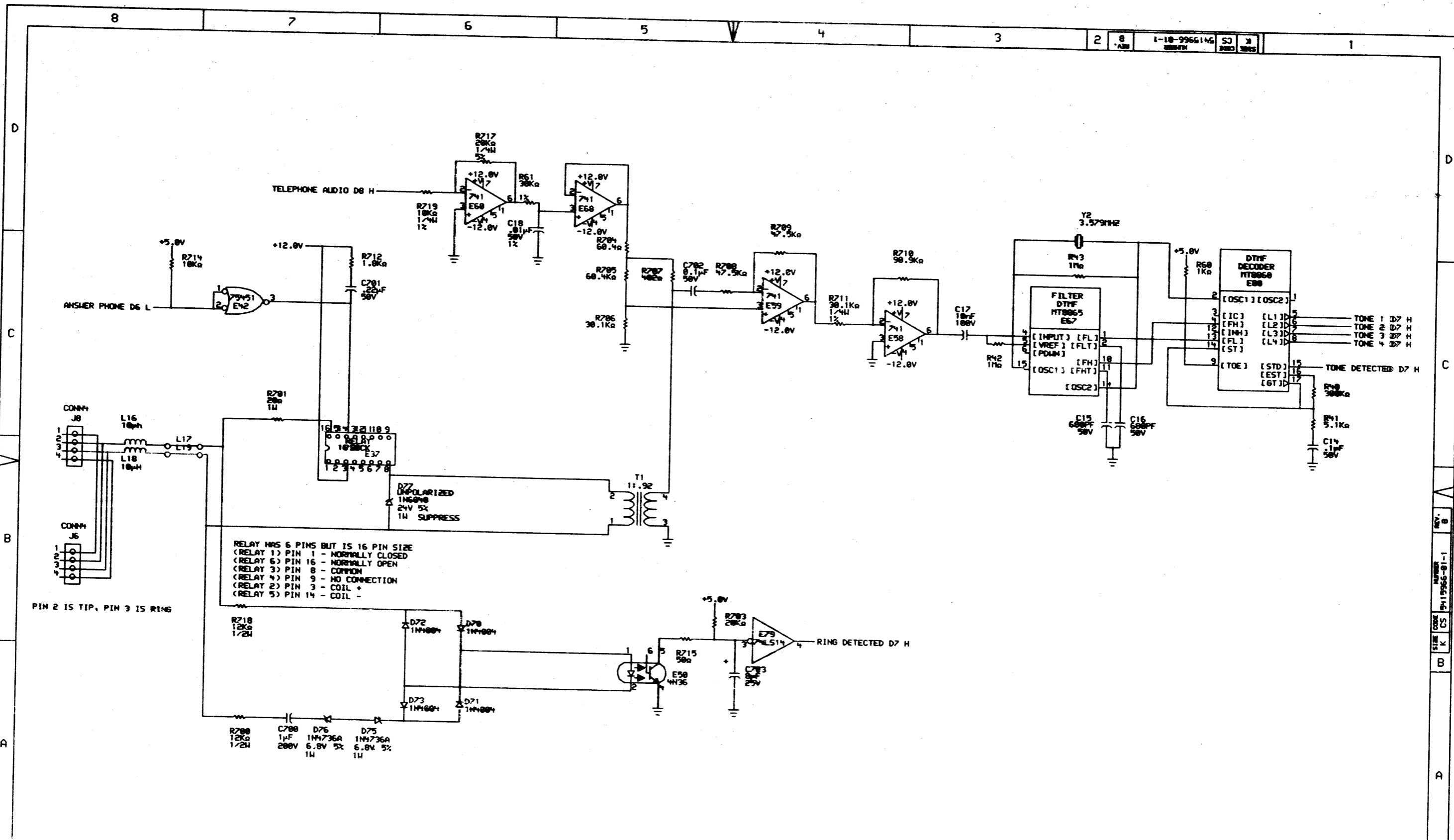




THIS DRAWING AND SPECIFICATIONS ARE THE PROPERTY OF DIGITAL EQUIPMENT CORPORATION AND ARE TO BE USED IN WHOLE OR IN PART ONLY FOR THE MANUFACTURE OF THIS PRODUCT. ANY OTHER USE IS PROHIBITED. © 1978 DIGITAL EQUIPMENT CORPORATION

REVISIONS	
CHK	CHANGE NO. REV.

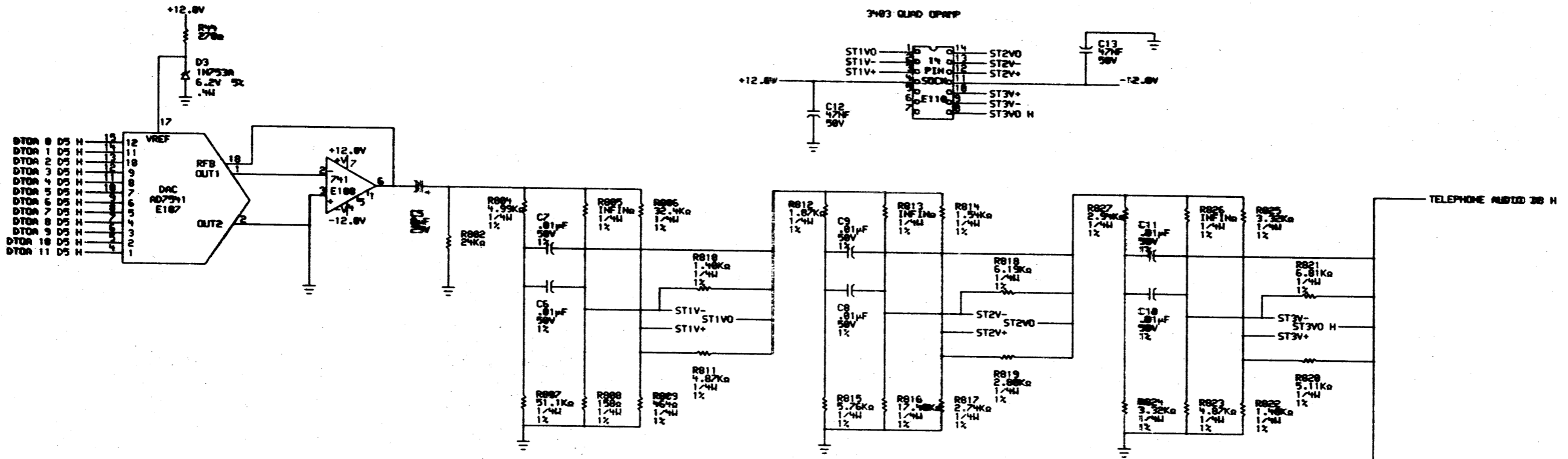
	DRN. R. ELLISON	DATE 27-FEB-81	ENG. R. ELLISON	DATE 27-FEB-81	TITLE: DEC TALK
	CHK'D T. BOSSMAN	DATE 27-FEB-81	DATE 27-FEB-81	DATE 27-FEB-81	BOARD LOCATION
FIRST USED ON OPTION MODEL: DTC01-A   18-DD-5415966-01   SHEET 18					
SIZE	CODE	NUMBER	REV.		
K	CS	5415966-01-1	B		



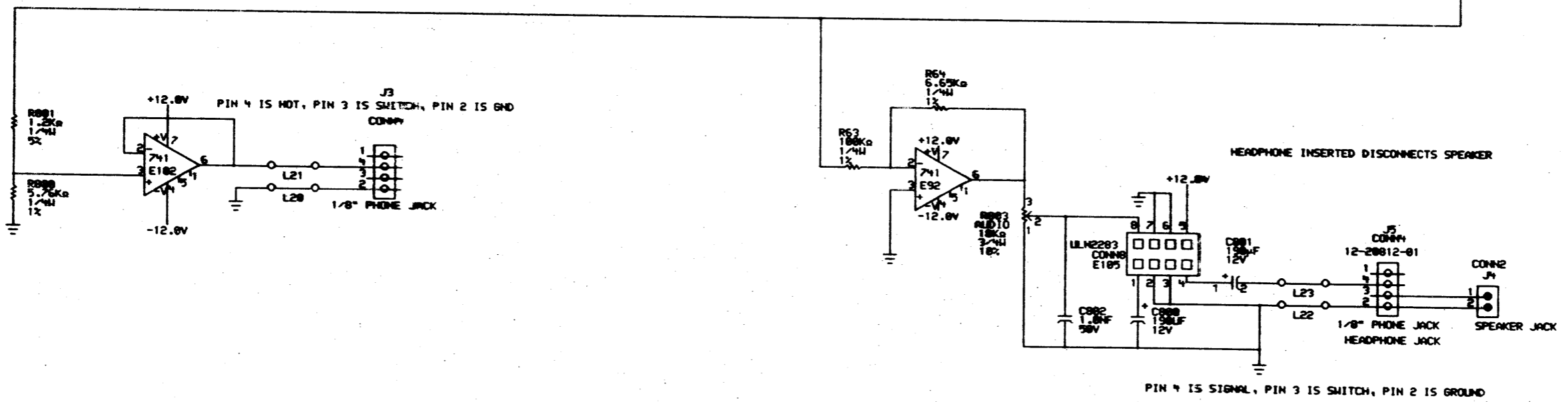
R700 12K 1/2W  
 C700 1uF 200V  
 D76 1N4736A 6.8V 5%  
 D75 1N4736A 6.8V 5%  
 D71 1N4004  
 D72 1N4004  
 D73 1N4004

REV	CHG	NO.	REV

	DRN. R. ELLISON	DATE 23-FEB-81	ENG. R. ELLISON	DATE 23-FEB-81	TITLE: DEC TALK
	CHK'D P. BOSSMAN	DATE 23-FEB-81	DATE 23-FEB-81	DATE 23-FEB-81	
FIRST USED ON OPTION/MODEL: DTC01-A			NEXT HIGHER ASSEMBLY: B-DD-5415966-01		
SIZE K	CODE CS	NUMBER 5415966-01-1	REV. B		

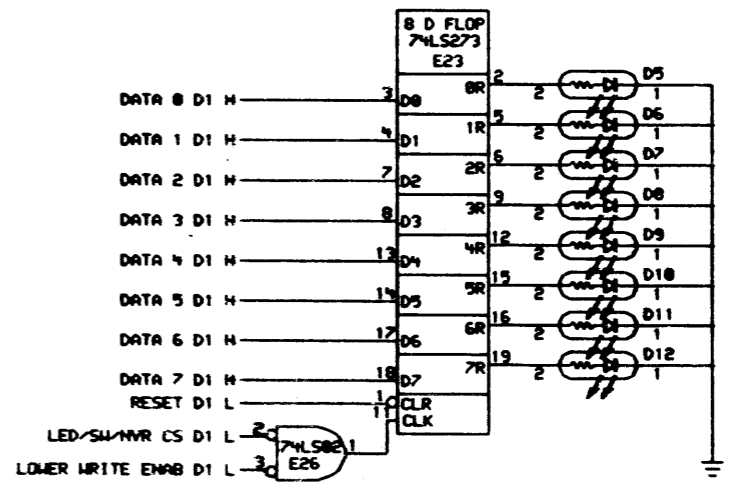
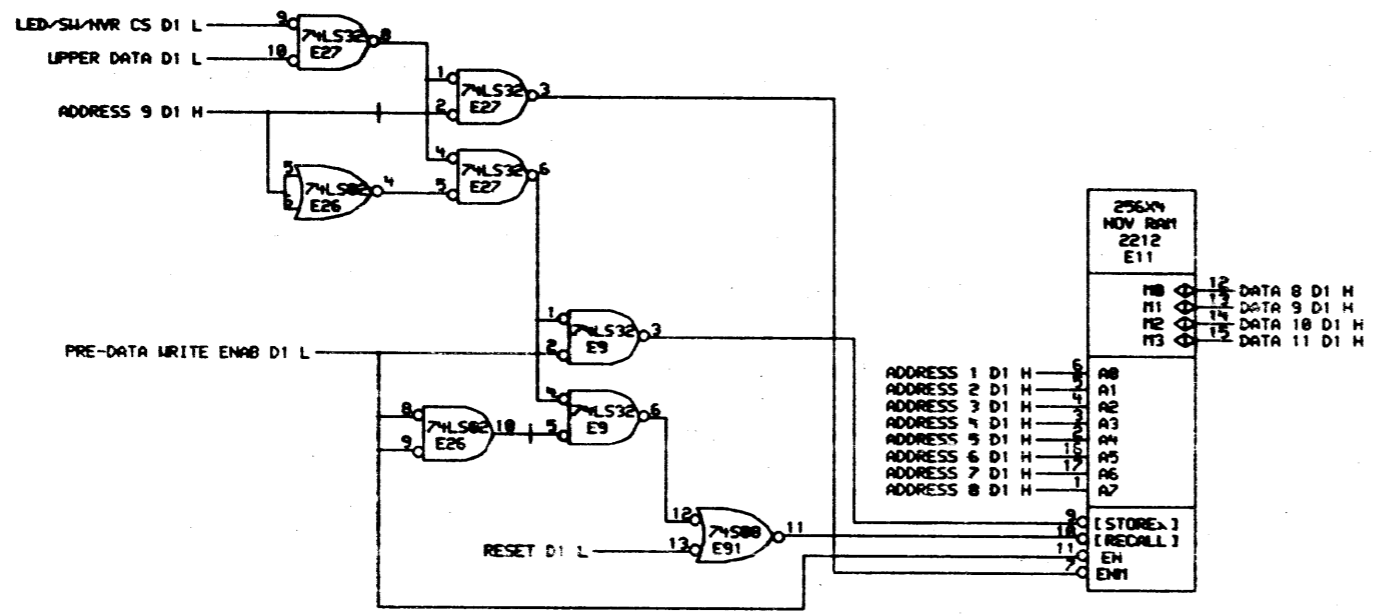


TELEPHONE AUDIO 300 H



REV.	CHG.	NO.	REV.

	DRW. R. ELLISON	DATE 12-28-81	ENG. R. ELLISON	DATE 12-28-81	TITLE: DEC TALK
	CHK'D P. BROOKMAN	DATE 1-18-82	DATE 1-18-82	DATE 1-18-82	
FIRST USED ON OPTION MODEL: DTC01-A			B-DD-5415966-01		



REVISIONS	
CHG. NO.	REV.

	DESIGNED BY: R. ELLISON DATE: 10-1-78	CHECKED BY: P. BUSSMAN DATE: 10-1-78	TITLE: DEC TALK
	FIRST USED ON OPTION/MODEL: DCT01-A	B-DD-5415966-01	SIZE CODE: K CS

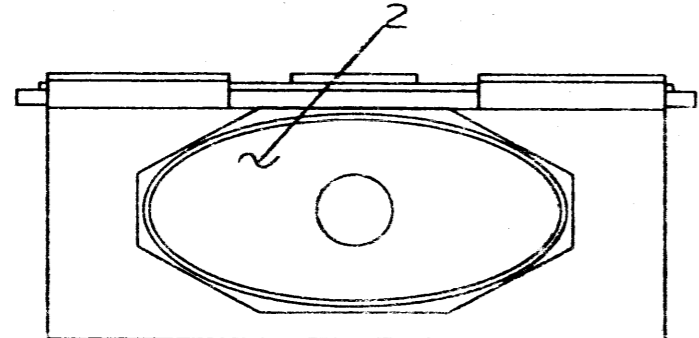
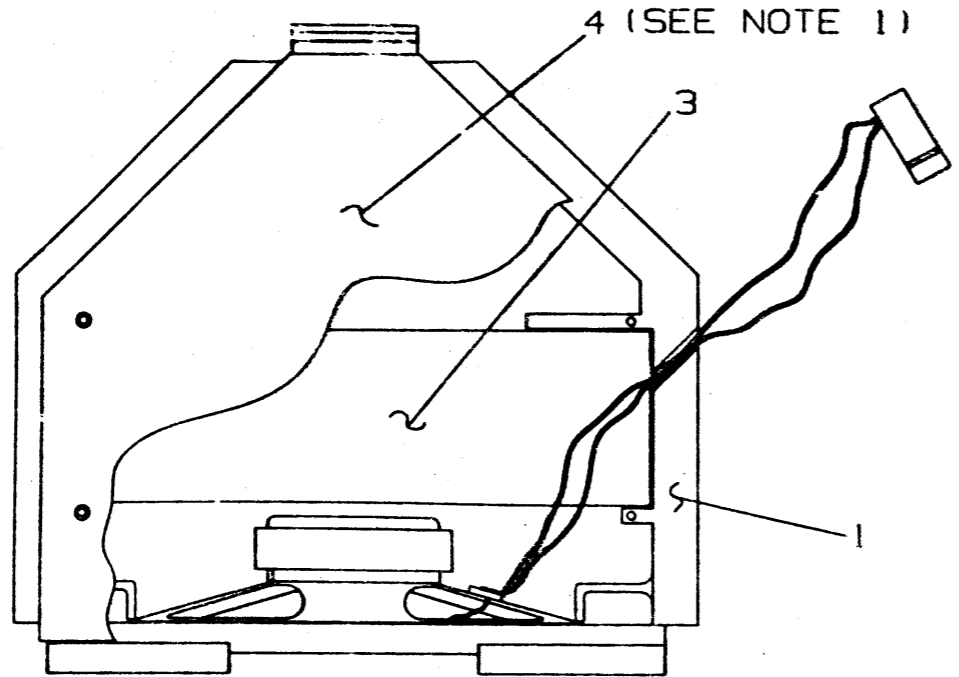


THIS DRAWING AND SPECIFICATIONS HEREBY ARE THE PROPERTY OF DIGITAL EQUIPMENT CORPORATION. IT IS TO BE USED ONLY FOR THE MANUFACTURE OR SALE OF ITEMS WITHOUT WRITTEN PERMISSION. COPYRIGHT © 1983 DIGITAL EQUIPMENT CORPORATION

LEGEND		
PART NO.	REV	VARIATION
7021099-0	A1	AS SHOWN

NOTES:

1. PEEL OFF RELEASE LINER AND PLACE GASKET ADHESIVE SIDE DOWN ON SPEAKER ENCLOSURE (ITEM 1) LOCATING 4 HOLES IN GASKET OVER 4 PEGS ON SPEAKER ENCLOSURE.



CAUTION: OFF SHEET PARTS LIST EXISTS  
SEE K-PL-7021099-DBP

FIRST HIGHER ASS'Y  
E-UA-DT001-0-DBU

DESCRIPTION	DRAWING NO.	PART NO.	ITEM NO.				
UNLESS OTHERWISE SPECIFIED DIMENSIONS ARE IN INCHES AND THE FOLLOWING TOLERANCES APPLY (PER DEC STD 114)							
INCHES TOLERANCES .X: ± .1 .XX: ± .02 .XXX: ± .005	ANGLES 40° 30' SURFACE QUALITY MICROINCHES	APPLICABLE DIMENSION RANGE (CHECK ONE)					
		DIMENSION RANGE IN INCHES					
		OVER 0 TO 0.2	OVER 0.2 TO 1.2	OVER 1.2 TO 4.0	OVER 4.0 TO 12.0	OVER 12.0 TO 40.0	OVER 40.0 TO 80.0
		<input type="checkbox"/>	<input type="checkbox"/>	<input type="checkbox"/>	<input type="checkbox"/>	<input type="checkbox"/>	<input type="checkbox"/>
		<input type="checkbox"/>	<input type="checkbox"/>	<input type="checkbox"/>	<input type="checkbox"/>	<input type="checkbox"/>	<input type="checkbox"/>
		<input type="checkbox"/>	<input type="checkbox"/>	<input type="checkbox"/>	<input type="checkbox"/>	<input type="checkbox"/>	<input type="checkbox"/>
THIRD ANGLE PROJECTION	DRN JOHN FOLEY DATE 30 JUNE 83	TITLE digital					
DO NOT SCALE DRAWING	CHK'D N E NICHOLS DATE 30 NOV 83	SPEAKER ASSEMBLY					
REMOVE BURRS AND BREAK SHARP CORNERS	DES. ENG. JEFF LEWIS DATE 30 NOV 83						
MATERIAL	RESP. ENG. DAN BELANGER DATE 30 NOV 83						
SEE K.P.L.	MFG. ENG. JIM FAY DATE 30 NOV 83						
FINISH NONE	TOP DEC. C-AD-7021099-0-DBU	DOCUMENT NUMBER C AD 7021099 0-DBU					
		SCALE 1/1	SHEET 1 OF 1				

REV.	INITIAL
A	

REV. A  
C AD 7021099-0-DBU

A

4

3

2

1

ML 3

AUTOMATED BY PRTLST.4Q(50)

PARTS LIST

SHEET A1 OF A1

LINE	ITEM	DOCUMENT NUMBER	PART NUMBER	DESCRIPTION	QUANTITY PER VARIATION
1	1	D-MD-7429158-0-DBU	7429158-01	ENCLOSURE, SPEAKER	1
2	2		7021269-02	SPEAKER WIRE ASSY.	1
3	3	B-MD-7429269-0-DBU	7429269-01	FOAM, SPEAKER	1
4	4	C-MD-7429159-0-DBU	7429159-01	ENCLOSURE, GASKET	1

REVISION HISTORY		BASIC PART NO: 7021099		DRN: J. FOLEY	DATE: 30-JUN-83	D I G I T A L	
ENG:	ECO NUMBER	REV	SECTION A OF A	CHK'D: N. NICHOLS	DATE: 13-SEP-83	TITLE	PARTS LIST
	INITIAL	A	SECTION. VARIATION INDEX	DES.ENG.: J. LEWIS	DATE: 30-JUN-83	SPEAKER ASSEMBLY	
			[A] 01	RESP.ENG.: D. BELANGER	DATE: 30-JUN-83	DOCUMENT NUMBER	
			[B]	MFG.ENG.: J. FAY	DATE: 30-JUN-83	SIZE	CODE
			[C]	ASSEMBLY NUMBER:	TOP DOCUMENT NUMBER:	NUMBER	REV
			[D]	C-AD-7021099-0-DBU	C-AD-7021099-0-DBU	K	PL
			[E]			FILE NAME:	EDIT #
			[F]			Z7523A.PLS	9

"THIS DRAWING AND SPECIFICATIONS HEREIN, ARE THE PROPERTY OF DIGITAL EQUIPMENT CORPORATION AND SHALL NOT BE REPRODUCED OR COPIED OR USED IN WHOLE OR IN PART AS THE BASIS FOR THE MANUFACTURE OR SALE OF ITEMS WITHOUT WRITTEN PERMISSION. COPYRIGHT (C) 1983. DIGITAL EQUIPMENT CORPORATION "





PARTS LIST

LINE	ITEM	DOCUMENT NUMBER	PART NUMBER	DESCRIPTION	QUANTITY PER VARIATION
					01
1	1	E-UA-5415966-0-DBU	5415966-01	DEC TALK	1
2	2	D-IA-7429157-0-DBU	7429157-01	PLATE, CONNECTOR	1
3	3		9009963-00	PLUNGER, 1/4 DIA	3
4	4		9009966-00	GROMMET, SNAP-IN POLYCARBONAT	3
5	5		9008451-06	SCREW, JACK HEX WASHER	6

REVISION HISTORY		BASIC PART NO: 7021148	
ENG	ECO NUMBER	REV	SECTION A OF A
	INITIAL	A	SECTION VARIATION INDEX
			[A] 01
			[B]
			[C]
			[D]
			[E]
			[F]
			DRN: D. LYONS
			DATE: 17-AUG-83
			CHK'D: N. NICHOLS
			DATE: 15-SEP-83
			DES. ENG.: J. LEWIS
			DATE: 17-AUG-83
			RESP. ENG.: D. BELANGER
			DATE: 17-AUG-83
			MFG. ENG.: J. FAY
			DATE: 17-AUG-83
			ASSEMBLY NUMBER:
			D-AD-7021148-0-DBU
			TOP DOCUMENT NUMBER:
			D-AD-7021148-0-DBU
			D I G I T A L
			TITLE PARTS LIST
			PC BOARD ASSY
			DOCUMENT NUMBER
			SIZE CODE NUMBER REV
			K PL 7021148-0-DBP A
			FILE NAME: Z7663A.PLS
			EDIT

"THIS DRAWING AND SPECIFICATIONS HEREIN, ARE THE PROPERTY OF DIGITAL EQUIPMENT CORPORATION AND SHALL NOT BE REPRODUCED OR COPIED OR USED IN WHOLE OR IN PART AS THE BASIS FOR THE MANUFACTURE OR SALE OF ITEMS WITHOUT WRITTEN PERMISSION. COPYRIGHT (C) 1983. DIGITAL EQUIPMENT CORPORATION"

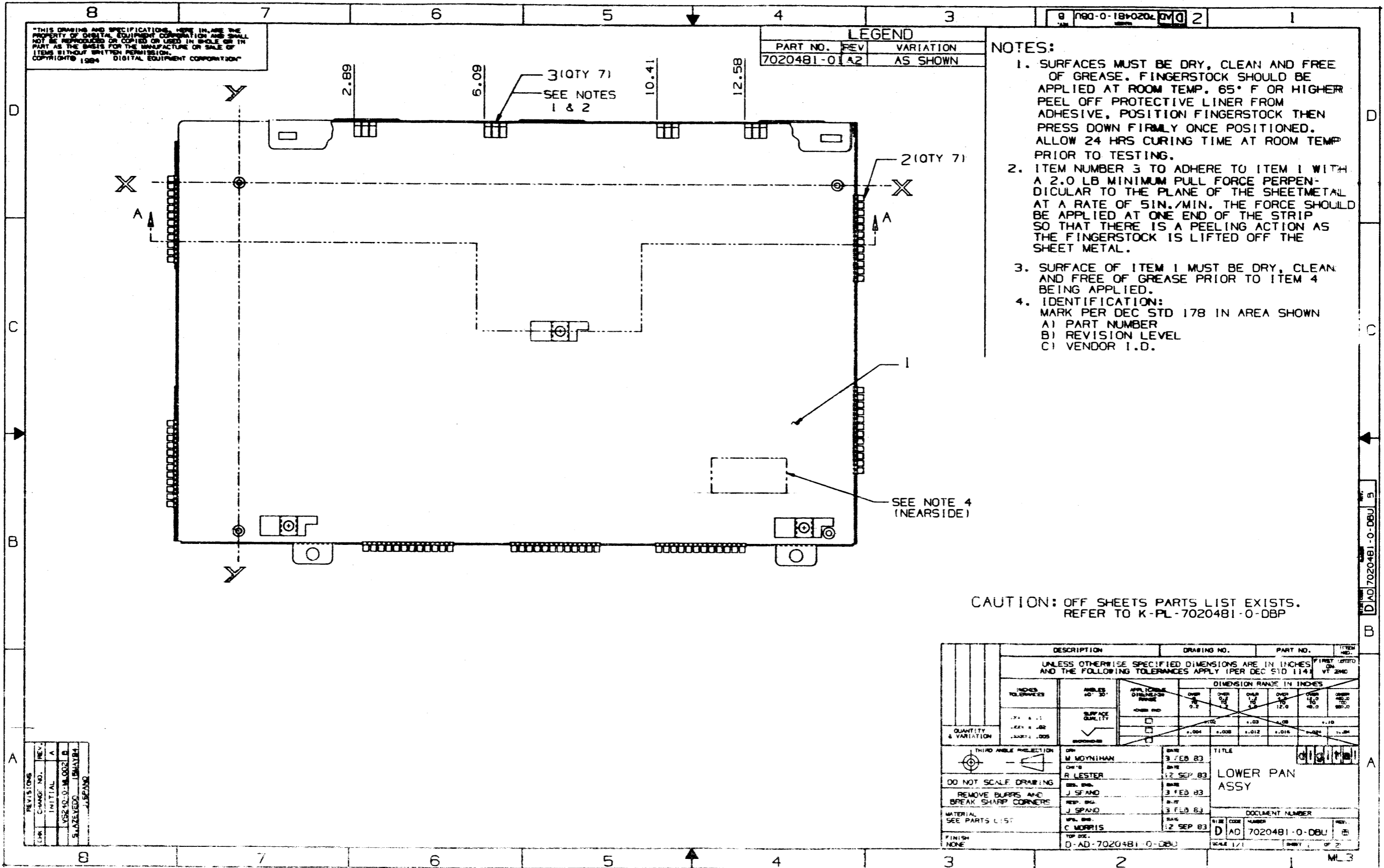
"THIS DRAWING AND SPECIFICATIONS HEREIN ARE THE PROPERTY OF DIGITAL EQUIPMENT CORPORATION AND SHALL NOT BE REPRODUCED OR COPIED OR USED IN WHOLE OR IN PART AS THE BASIS FOR THE MANUFACTURE OR SALE OF ITEMS WITHOUT WRITTEN PERMISSION.  
 COPYRIGHT © 1984 DIGITAL EQUIPMENT CORPORATION"

PART NO.	REV	VARIATION
7020481-0	A2	AS SHOWN

LEGEND

NOTES:

1. SURFACES MUST BE DRY, CLEAN AND FREE OF GREASE. FINGERSTOCK SHOULD BE APPLIED AT ROOM TEMP. 65° F OR HIGHER. PEEL OFF PROTECTIVE LINER FROM ADHESIVE. POSITION FINGERSTOCK THEN PRESS DOWN FIRMLY ONCE POSITIONED. ALLOW 24 HRS CURING TIME AT ROOM TEMP PRIOR TO TESTING.
2. ITEM NUMBER 3 TO ADHERE TO ITEM 1 WITH A 2.0 LB MINIMUM PULL FORCE PERPENDICULAR TO THE PLANE OF THE SHEETMETAL AT A RATE OF 5IN./MIN. THE FORCE SHOULD BE APPLIED AT ONE END OF THE STRIP SO THAT THERE IS A PEELING ACTION AS THE FINGERSTOCK IS LIFTED OFF THE SHEET METAL.
3. SURFACE OF ITEM 1 MUST BE DRY, CLEAN AND FREE OF GREASE PRIOR TO ITEM 4 BEING APPLIED.
4. IDENTIFICATION:  
 MARK PER DEC STD 178 IN AREA SHOWN  
 A) PART NUMBER  
 B) REVISION LEVEL  
 C) VENDOR I.D.



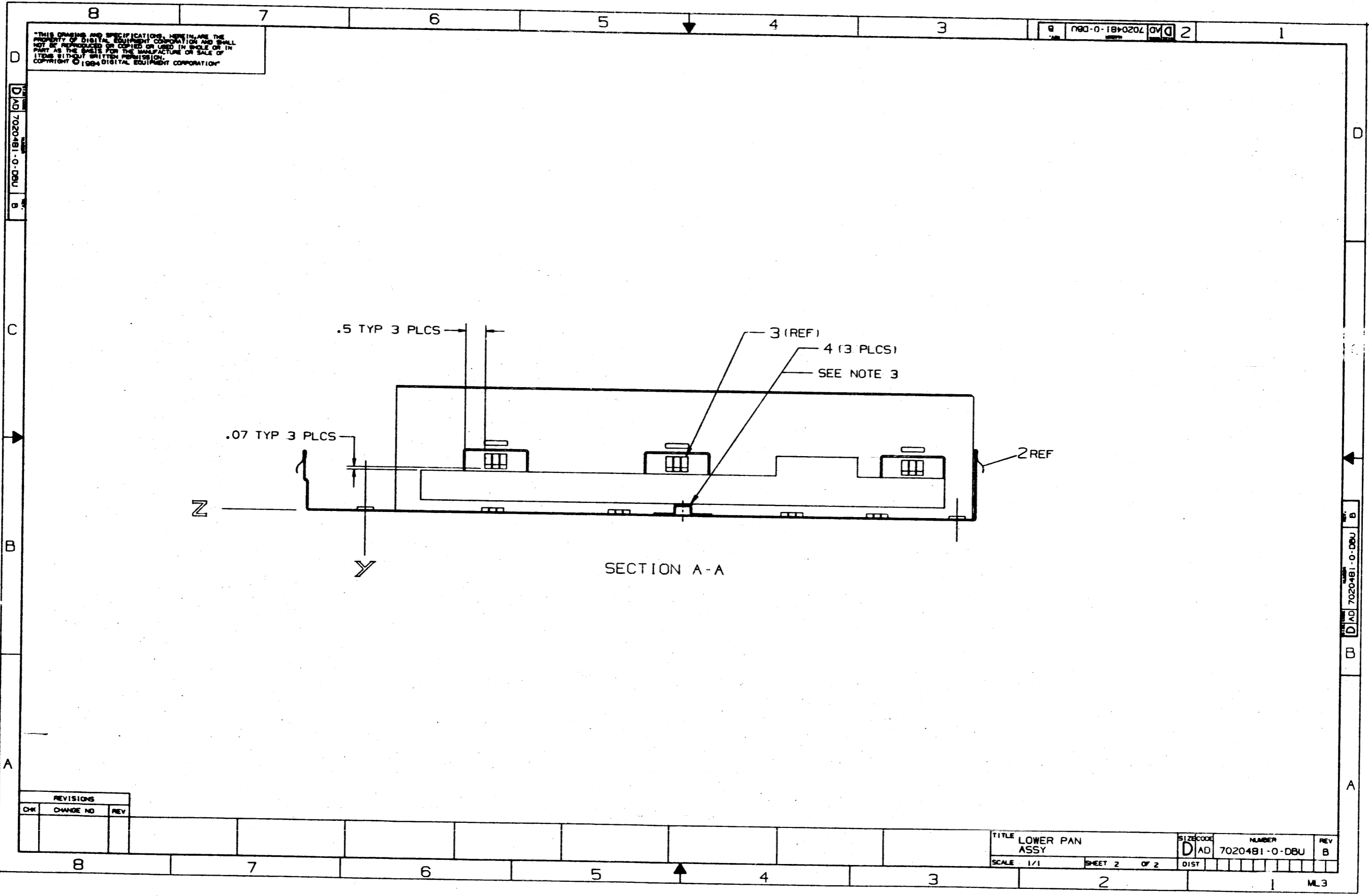
CAUTION: OFF SHEETS PARTS LIST EXISTS.  
 REFER TO K-PL-7020481-0-DBP

REV.	NO.	INITIAL	DATE
A			
B			
C			
D			

DESCRIPTION	DRAWING NO.	PART NO.	ITEM NO.
UNLESS OTHERWISE SPECIFIED DIMENSIONS ARE IN INCHES AND THE FOLLOWING TOLERANCES APPLY (PER DEC STD 114)			
INDEX TOLERANCES	ANGLES 90° ± 30°	DIMENSION RANGE IN INCHES	
APPLICABLE DIMENSIONS	SURFACE QUALITY	OVER 12"	OVER 6" - 12"
QUANTITY & VARIATION		OVER 1" - 6"	OVER 0.125" - 1"
		OVER 0.25" - 1"	OVER 0.062" - 0.25"
		OVER 0.125" - 0.25"	OVER 0.031" - 0.125"
		OVER 0.062" - 0.125"	OVER 0.015" - 0.062"
		OVER 0.031" - 0.062"	OVER 0.007" - 0.031"
		OVER 0.015" - 0.031"	OVER 0.003" - 0.015"
		OVER 0.007" - 0.015"	OVER 0.001" - 0.007"
THIRD ANGLE PROJECTION	DATE 3 FEB 83	TITLE LOWER PAN ASSY	
DO NOT SCALE DRAWING	DATE 12 SEP 83	DOCUMENT NUMBER D AD 7020481-0-DBU	
REMOVE BURRS AND BREAK SHARP CORNERS	DATE 3 FEB 83	SCALE 1/1	
MATERIAL SEE PARTS LIST	DATE 3 FEB 83	SHEET 1 OF 2	
FINISH NONE	DATE 12 SEP 83	ML 3	
	DATE 3 FEB 83		
	DATE 12 SEP 83		
	DATE 3 FEB 83		
	DATE 12 SEP 83		

"THIS DRAWING AND SPECIFICATIONS HEREIN ARE THE PROPERTY OF DIGITAL EQUIPMENT CORPORATION AND SHALL NOT BE REPRODUCED OR COPIED OR USED IN WHOLE OR IN PART AS THE BASIS FOR THE MANUFACTURE OR SALE OF ITEMS WITHOUT WRITTEN PERMISSION. COPYRIGHT © 1964 DIGITAL EQUIPMENT CORPORATION"

70204B1-0-DBU 2



SECTION A-A

REVISIONS		
CHK	CHANGE NO	REV

TITLE	LOWER PAN ASSY	SIZE CODE	D AD	NUMBER	70204B1-0-DBU	REV	B
SCALE	1/1	SHEET	2	OF	2	DIST	

ML 3

PARTS LIST

LINE	ITEM	TOP DOCUMENT	PART NUMBER	MIN REV	DESCRIPTION	QTY PER VARIATION
1	1	D-IA-7021089-0-DBU	7021089-01		WELDMENT, PAN, LOWER	1
2	2	C-MD-7429051-0-DBU	7429051-01		FINGER STOCK,CLIP-ON	7
3	3		1220580-22		SHIELD,EMI/RFI,FINGERS 3POS	7
4	4	C-MD-7428954-0-DBU	7428954-01		SPACER,PCB	3

VARIATION REVISION LEVEL:

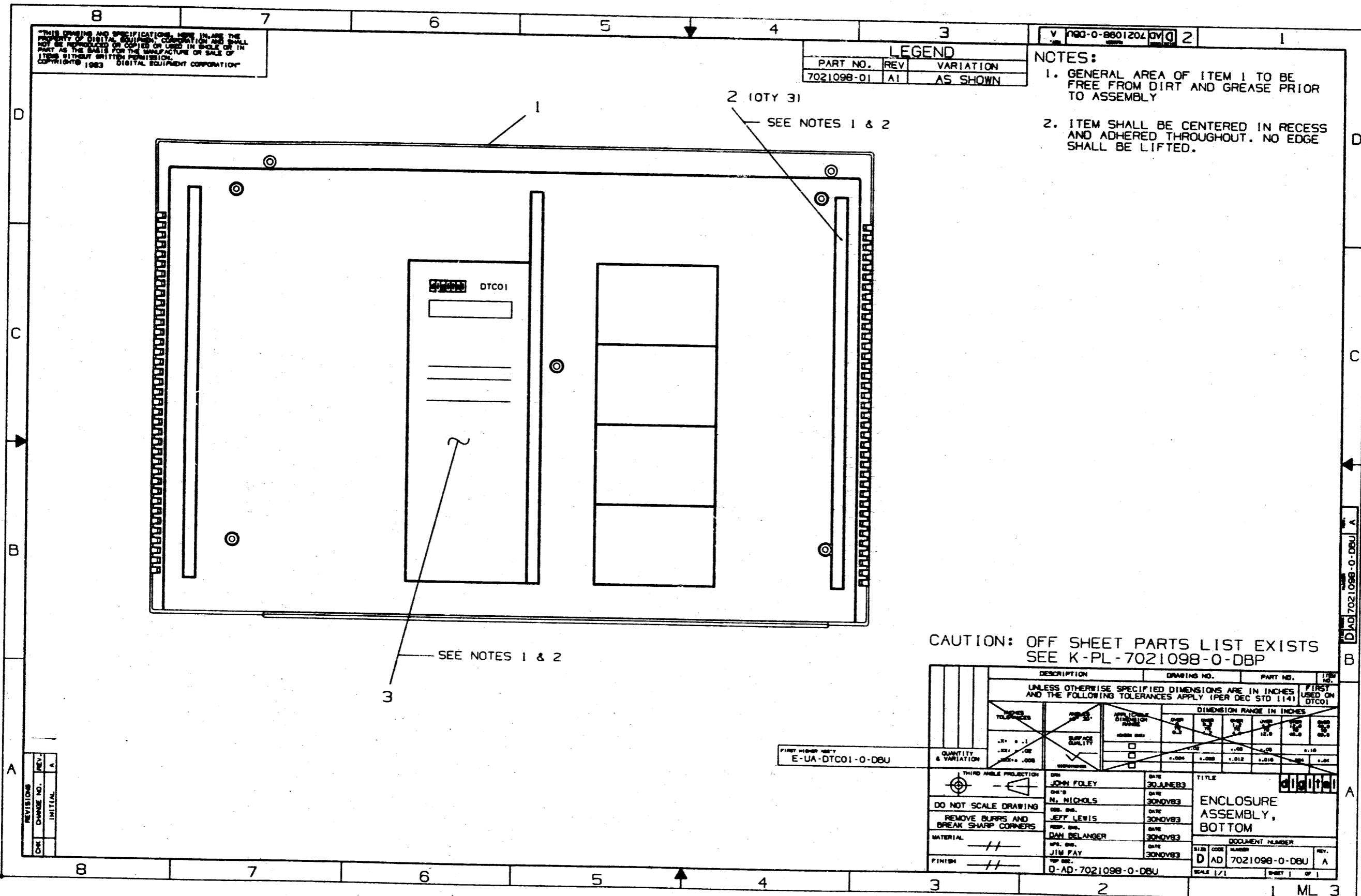
REVISION HISTORY			BASIC PART NO: 7020481						
ENG	ECO NUMBER	REV	SECTION A OF A	DRN:	M. MOYNIHAN	DATE:	10-FEB-83	D I G I T A L	
---	INITIAL	A	SECTION VARIATION INDEX	CHK'D:	R. LESTER	DATE:	12-SEP-83	TITLE PARTS LIST	
JS	VS240-0-ML002	B	(A)101					LOWER PAN ASSY	
			(B)	DES.ENG:	J. SPANO	DATE:	10-FEB-83	DOCUMENT NUMBER	
			(C)					SIZE	CODE
			(D)	RESP.ENG.:	J. SPANO	DATE:	10-FEB-83	K	PL
			(E)					7020481-0-DBP	REV
			(F)	MFG.ENG.:	C. MORRIS	DATE:	12-SEP-83	RELEASE DATE: 10-MAR-84	
				ASSEMBLY NUMBER:	D-AD-7020481-0-DBU	TOP DOCUMENT NUMBER:	D-AD-7020481-0-DBU	FILE NAME:	Z62876.PLS
								EDIT #	13

"THIS DRAWING AND THE SPECIFICATIONS CONTAINED HEREIN ARE CONFIDENTIAL AND PROPRIETARY. THEY ARE THE PROPERTY OF DIGITAL EQUIPMENT CORPORATION AND SHALL NOT BE REPRODUCED OR COPIED OR USED IN WHOLE OR IN PART AS THE BASIS FOR THE MANUFACTURE OR SALE OF ITEMS WITHOUT WRITTEN PERMISSION. THIS IS AN UNPUBLISHED WORK PROTECTED UNDER THE FEDERAL COPYRIGHT LAWS."

THIS DRAWING AND SPECIFICATIONS HEREBY IN-ARE THE PROPERTY OF DIGITAL EQUIPMENT CORPORATION AND SHALL NOT BE REPRODUCED OR COPIED OR USED IN WHOLE OR IN PART AS THE BASIS FOR THE MANUFACTURE OR SALE OF ITEMS WITHOUT WRITTEN PERMISSION.  
 COPYRIGHT © 1983 DIGITAL EQUIPMENT CORPORATION

LEGEND		
PART NO.	REV	VARIATION
7021098-01	A1	AS SHOWN

- NOTES:
1. GENERAL AREA OF ITEM 1 TO BE FREE FROM DIRT AND GREASE PRIOR TO ASSEMBLY
  2. ITEM SHALL BE CENTERED IN RECESS AND ADHERED THROUGHOUT. NO EDGE SHALL BE LIFTED.



CAUTION: OFF SHEET PARTS LIST EXISTS  
 SEE K-PL-7021098-0-DBP

FIRST HIGH ASSEMBLY  
 E-UA-DTC01-0-DBU

DESCRIPTION	DRAWING NO.	PART NO.	REV.																																																																																																																																																																																																																																																																																																																																																																																																																																																							
UNLESS OTHERWISE SPECIFIED DIMENSIONS ARE IN INCHES AND THE FOLLOWING TOLERANCES APPLY (PER DEC STD 1141)																																																																																																																																																																																																																																																																																																																																																																																																																																																										
FIRST USED ON DTC01																																																																																																																																																																																																																																																																																																																																																																																																																																																										
DIMENSION RANGE IN INCHES																																																																																																																																																																																																																																																																																																																																																																																																																																																										
<table border="1"> <tr> <th>DIMENSION RANGE</th> <th>TOLERANCE</th> </tr> <tr> <td>0.000 - 0.009</td> <td>±0.005</td> </tr> <tr> <td>0.010 - 0.019</td> <td>±0.005</td> </tr> <tr> <td>0.020 - 0.049</td> <td>±0.005</td> </tr> <tr> <td>0.050 - 0.099</td> <td>±0.005</td> </tr> <tr> <td>0.100 - 0.149</td> <td>±0.005</td> </tr> <tr> <td>0.150 - 0.199</td> <td>±0.005</td> </tr> <tr> <td>0.200 - 0.249</td> <td>±0.005</td> </tr> <tr> <td>0.250 - 0.299</td> <td>±0.005</td> </tr> <tr> <td>0.300 - 0.349</td> <td>±0.005</td> </tr> <tr> <td>0.350 - 0.399</td> <td>±0.005</td> </tr> <tr> <td>0.400 - 0.449</td> <td>±0.005</td> </tr> <tr> <td>0.450 - 0.499</td> <td>±0.005</td> </tr> <tr> <td>0.500 - 0.549</td> <td>±0.005</td> </tr> <tr> <td>0.550 - 0.599</td> <td>±0.005</td> </tr> <tr> <td>0.600 - 0.649</td> <td>±0.005</td> </tr> <tr> <td>0.650 - 0.699</td> <td>±0.005</td> </tr> <tr> <td>0.700 - 0.749</td> <td>±0.005</td> </tr> <tr> <td>0.750 - 0.799</td> <td>±0.005</td> </tr> <tr> <td>0.800 - 0.849</td> <td>±0.005</td> </tr> <tr> <td>0.850 - 0.899</td> <td>±0.005</td> </tr> <tr> <td>0.900 - 0.949</td> <td>±0.005</td> </tr> <tr> <td>0.950 - 0.999</td> <td>±0.005</td> </tr> <tr> <td>1.000 - 1.999</td> <td>±0.005</td> </tr> <tr> <td>2.000 - 2.999</td> <td>±0.005</td> </tr> <tr> <td>3.000 - 3.999</td> <td>±0.005</td> </tr> <tr> <td>4.000 - 4.999</td> <td>±0.005</td> </tr> <tr> <td>5.000 - 5.999</td> <td>±0.005</td> </tr> <tr> <td>6.000 - 6.999</td> <td>±0.005</td> </tr> <tr> <td>7.000 - 7.999</td> <td>±0.005</td> </tr> <tr> <td>8.000 - 8.999</td> <td>±0.005</td> </tr> <tr> <td>9.000 - 9.999</td> <td>±0.005</td> </tr> <tr> <td>10.000 - 14.999</td> <td>±0.005</td> </tr> <tr> <td>15.000 - 19.999</td> <td>±0.005</td> </tr> <tr> <td>20.000 - 24.999</td> <td>±0.005</td> </tr> <tr> <td>25.000 - 29.999</td> <td>±0.005</td> </tr> <tr> <td>30.000 - 34.999</td> <td>±0.005</td> </tr> <tr> <td>35.000 - 39.999</td> <td>±0.005</td> </tr> <tr> <td>40.000 - 44.999</td> <td>±0.005</td> </tr> <tr> <td>45.000 - 49.999</td> <td>±0.005</td> </tr> <tr> <td>50.000 - 54.999</td> <td>±0.005</td> </tr> <tr> <td>55.000 - 59.999</td> <td>±0.005</td> </tr> <tr> <td>60.000 - 64.999</td> <td>±0.005</td> </tr> <tr> <td>65.000 - 69.999</td> <td>±0.005</td> </tr> <tr> <td>70.000 - 74.999</td> <td>±0.005</td> </tr> <tr> <td>75.000 - 79.999</td> <td>±0.005</td> </tr> <tr> <td>80.000 - 84.999</td> <td>±0.005</td> </tr> <tr> <td>85.000 - 89.999</td> <td>±0.005</td> </tr> <tr> <td>90.000 - 94.999</td> <td>±0.005</td> </tr> <tr> <td>95.000 - 99.999</td> <td>±0.005</td> </tr> <tr> <td>100.000 - 199.999</td> <td>±0.005</td> </tr> <tr> <td>200.000 - 299.999</td> <td>±0.005</td> </tr> <tr> <td>300.000 - 399.999</td> <td>±0.005</td> </tr> <tr> <td>400.000 - 499.999</td> <td>±0.005</td> </tr> <tr> <td>500.000 - 599.999</td> <td>±0.005</td> </tr> <tr> <td>600.000 - 699.999</td> <td>±0.005</td> </tr> <tr> <td>700.000 - 799.999</td> <td>±0.005</td> </tr> <tr> <td>800.000 - 899.999</td> <td>±0.005</td> </tr> <tr> <td>900.000 - 999.999</td> <td>±0.005</td> </tr> <tr> <td>1000.000 - 1499.999</td> <td>±0.005</td> </tr> <tr> <td>1500.000 - 1999.999</td> <td>±0.005</td> </tr> <tr> <td>2000.000 - 2999.999</td> <td>±0.005</td> </tr> <tr> <td>3000.000 - 3999.999</td> <td>±0.005</td> </tr> <tr> <td>4000.000 - 4999.999</td> <td>±0.005</td> </tr> <tr> <td>5000.000 - 5999.999</td> <td>±0.005</td> </tr> <tr> <td>6000.000 - 6999.999</td> <td>±0.005</td> </tr> <tr> <td>7000.000 - 7999.999</td> <td>±0.005</td> </tr> <tr> <td>8000.000 - 8999.999</td> <td>±0.005</td> </tr> <tr> <td>9000.000 - 9999.999</td> <td>±0.005</td> </tr> <tr> <td>10000.000 - 14999.999</td> <td>±0.005</td> </tr> <tr> <td>15000.000 - 19999.999</td> <td>±0.005</td> </tr> <tr> <td>20000.000 - 29999.999</td> <td>±0.005</td> </tr> <tr> <td>30000.000 - 39999.999</td> <td>±0.005</td> </tr> <tr> <td>40000.000 - 49999.999</td> <td>±0.005</td> </tr> <tr> <td>50000.000 - 59999.999</td> <td>±0.005</td> </tr> <tr> <td>60000.000 - 69999.999</td> <td>±0.005</td> </tr> <tr> <td>70000.000 - 79999.999</td> <td>±0.005</td> </tr> <tr> <td>80000.000 - 89999.999</td> <td>±0.005</td> </tr> <tr> <td>90000.000 - 99999.999</td> <td>±0.005</td> </tr> <tr> <td>100000.000 - 149999.999</td> <td>±0.005</td> </tr> <tr> <td>150000.000 - 199999.999</td> <td>±0.005</td> </tr> <tr> <td>200000.000 - 299999.999</td> <td>±0.005</td> </tr> <tr> <td>300000.000 - 399999.999</td> <td>±0.005</td> </tr> <tr> <td>400000.000 - 499999.999</td> <td>±0.005</td> </tr> <tr> <td>500000.000 - 599999.999</td> <td>±0.005</td> </tr> <tr> <td>600000.000 - 699999.999</td> <td>±0.005</td> </tr> <tr> <td>700000.000 - 799999.999</td> <td>±0.005</td> </tr> <tr> <td>800000.000 - 899999.999</td> <td>±0.005</td> </tr> <tr> <td>900000.000 - 999999.999</td> <td>±0.005</td> </tr> <tr> <td>1000000.000 - 1499999.999</td> <td>±0.005</td> </tr> <tr> <td>1500000.000 - 1999999.999</td> <td>±0.005</td> </tr> <tr> <td>2000000.000 - 2999999.999</td> <td>±0.005</td> </tr> <tr> <td>3000000.000 - 3999999.999</td> <td>±0.005</td> </tr> <tr> <td>4000000.000 - 4999999.999</td> <td>±0.005</td> </tr> <tr> <td>5000000.000 - 5999999.999</td> <td>±0.005</td> </tr> <tr> <td>6000000.000 - 6999999.999</td> <td>±0.005</td> </tr> <tr> <td>7000000.000 - 7999999.999</td> <td>±0.005</td> </tr> <tr> <td>8000000.000 - 8999999.999</td> <td>±0.005</td> </tr> <tr> <td>9000000.000 - 9999999.999</td> <td>±0.005</td> </tr> <tr> <td>10000000.000 - 14999999.999</td> <td>±0.005</td> </tr> <tr> <td>15000000.000 - 19999999.999</td> <td>±0.005</td> </tr> <tr> <td>20000000.000 - 29999999.999</td> <td>±0.005</td> </tr> <tr> <td>30000000.000 - 39999999.999</td> <td>±0.005</td> </tr> <tr> <td>40000000.000 - 49999999.999</td> <td>±0.005</td> </tr> <tr> <td>50000000.000 - 59999999.999</td> <td>±0.005</td> </tr> <tr> <td>60000000.000 - 69999999.999</td> <td>±0.005</td> </tr> <tr> <td>70000000.000 - 79999999.999</td> <td>±0.005</td> </tr> <tr> <td>80000000.000 - 89999999.999</td> <td>±0.005</td> </tr> <tr> <td>90000000.000 - 99999999.999</td> <td>±0.005</td> </tr> <tr> <td>100000000.000 - 149999999.999</td> <td>±0.005</td> </tr> <tr> <td>150000000.000 - 199999999.999</td> <td>±0.005</td> </tr> <tr> <td>200000000.000 - 299999999.999</td> <td>±0.005</td> </tr> <tr> <td>300000000.000 - 399999999.999</td> <td>±0.005</td> </tr> <tr> <td>400000000.000 - 499999999.999</td> <td>±0.005</td> </tr> <tr> <td>500000000.000 - 599999999.999</td> <td>±0.005</td> </tr> <tr> <td>600000000.000 - 699999999.999</td> <td>±0.005</td> </tr> <tr> <td>700000000.000 - 799999999.999</td> <td>±0.005</td> </tr> <tr> <td>800000000.000 - 899999999.999</td> <td>±0.005</td> </tr> <tr> <td>900000000.000 - 999999999.999</td> <td>±0.005</td> </tr> <tr> <td>1000000000.000 - 1499999999.999</td> <td>±0.005</td> </tr> <tr> <td>1500000000.000 - 1999999999.999</td> <td>±0.005</td> </tr> <tr> <td>2000000000.000 - 2999999999.999</td> <td>±0.005</td> </tr> <tr> <td>3000000000.000 - 3999999999.999</td> <td>±0.005</td> </tr> <tr> <td>4000000000.000 - 4999999999.999</td> <td>±0.005</td> </tr> <tr> <td>5000000000.000 - 5999999999.999</td> <td>±0.005</td> </tr> <tr> <td>6000000000.000 - 6999999999.999</td> <td>±0.005</td> </tr> <tr> <td>7000000000.000 - 7999999999.999</td> <td>±0.005</td> </tr> <tr> <td>8000000000.000 - 8999999999.999</td> <td>±0.005</td> </tr> <tr> <td>9000000000.000 - 9999999999.999</td> <td>±0.005</td> </tr> <tr> <td>10000000000.000 - 14999999999.999</td> <td>±0.005</td> </tr> <tr> <td>15000000000.000 - 19999999999.999</td> <td>±0.005</td> </tr> <tr> <td>20000000000.000 - 29999999999.999</td> <td>±0.005</td> </tr> <tr> <td>30000000000.000 - 39999999999.999</td> <td>±0.005</td> </tr> <tr> <td>40000000000.000 - 49999999999.999</td> <td>±0.005</td> </tr> <tr> <td>50000000000.000 - 59999999999.999</td> <td>±0.005</td> </tr> <tr> <td>60000000000.000 - 69999999999.999</td> <td>±0.005</td> </tr> <tr> <td>70000000000.000 - 79999999999.999</td> <td>±0.005</td> </tr> <tr> <td>80000000000.000 - 89999999999.999</td> <td>±0.005</td> </tr> <tr> <td>90000000000.000 - 99999999999.999</td> <td>±0.005</td> </tr> <tr> <td>100000000000.000 - 149999999999.999</td> <td>±0.005</td> </tr> <tr> <td>150000000000.000 - 199999999999.999</td> <td>±0.005</td> </tr> <tr> <td>200000000000.000 - 299999999999.999</td> <td>±0.005</td> </tr> <tr> <td>300000000000.000 - 399999999999.999</td> <td>±0.005</td> </tr> <tr> <td>400000000000.000 - 499999999999.999</td> <td>±0.005</td> </tr> <tr> <td>500000000000.000 - 599999999999.999</td> <td>±0.005</td> </tr> <tr> <td>600000000000.000 - 699999999999.999</td> <td>±0.005</td> </tr> <tr> <td>700000000000.000 - 799999999999.999</td> <td>±0.005</td> </tr> <tr> <td>800000000000.000 - 899999999999.999</td> <td>±0.005</td> </tr> <tr> <td>900000000000.000 - 999999999999.999</td> <td>±0.005</td> </tr> <tr> <td>1000000000000.000 - 1499999999999.999</td> <td>±0.005</td> </tr> <tr> <td>1500000000000.000 - 1999999999999.999</td> <td>±0.005</td> </tr> <tr> <td>2000000000000.000 - 2999999999999.999</td> <td>±0.005</td> </tr> <tr> <td>3000000000000.000 - 3999999999999.999</td> <td>±0.005</td> </tr> <tr> <td>4000000000000.000 - 4999999999999.999</td> <td>±0.005</td> </tr> <tr> <td>5000000000000.000 - 5999999999999.999</td> <td>±0.005</td> </tr> <tr> <td>6000000000000.000 - 6999999999999.999</td> <td>±0.005</td> </tr> <tr> <td>7000000000000.000 - 7999999999999.999</td> <td>±0.005</td> </tr> <tr> <td>8000000000000.000 - 8999999999999.999</td> <td>±0.005</td> </tr> <tr> <td>9000000000000.000 - 9999999999999.999</td> <td>±0.005</td> </tr> <tr> <td>10000000000000.000 - 14999999999999.999</td> <td>±0.005</td> </tr> <tr> <td>15000000000000.000 - 19999999999999.999</td> <td>±0.005</td> </tr> <tr> <td>20000000000000.000 - 29999999999999.999</td> <td>±0.005</td> </tr> <tr> <td>30000000000000.000 - 39999999999999.999</td> <td>±0.005</td> </tr> <tr> <td>40000000000000.000 - 49999999999999.999</td> <td>±0.005</td> </tr> <tr> <td>50000000000000.000 - 59999999999999.999</td> <td>±0.005</td> </tr> <tr> <td>60000000000000.000 - 69999999999999.999</td> <td>±0.005</td> </tr> <tr> <td>70000000000000.000 - 79999999999999.999</td> <td>±0.005</td> </tr> <tr> <td>80000000000000.000 - 89999999999999.999</td> <td>±0.005</td> </tr> <tr> <td>90000000000000.000 - 99999999999999.999</td> <td>±0.005</td> </tr> <tr> <td>100000000000000.000 - 149999999999999.999</td> <td>±0.005</td> </tr> <tr> <td>150000000000000.000 - 199999999999999.999</td> <td>±0.005</td> </tr> <tr> <td>200000000000000.000 - 299999999999999.999</td> <td>±0.005</td> </tr> <tr> <td>300000000000000.000 - 399999999999999.999</td> <td>±0.005</td> </tr> <tr> <td>400000000000000.000 - 499999999999999.999</td> <td>±0.005</td> </tr> <tr> <td>500000000000000.000 - 599999999999999.999</td> <td>±0.005</td> </tr> <tr> <td>600000000000000.000 - 699999999999999.999</td> <td>±0.005</td> </tr> <tr> <td>700000000000000.000 - 799999999999999.999</td> <td>±0.005</td> </tr> <tr> <td>800000000000000.000 - 899999999999999.999</td> <td>±0.005</td> </tr> <tr> <td>900000000000000.000 - 999999999999999.999</td> <td>±0.005</td> </tr> <tr> <td>1000000000000000.000 - 1499999999999999.999</td> <td>±0.005</td> </tr> <tr> <td>1500000000000000.000 - 1999999999999999.999</td> <td>±0.005</td> </tr> <tr> <td>2000000000000000.000 - 2999999999999999.999</td> <td>±0.005</td> </tr> <tr> <td>3000000000000000.000 - 3999999999999999.999</td> <td>±0.005</td> </tr> <tr> <td>4000000000000000.000 - 4999999999999999.999</td> <td>±0.005</td> </tr> <tr> <td>5000000000000000.000 - 5999999999999999.999</td> <td>±0.005</td> </tr> <tr> <td>6000000000000000.000 - 6999999999999999.999</td> <td>±0.005</td> </tr> <tr> <td>7000000000000000.000 - 7999999999999999.999</td> <td>±0.005</td> </tr> <tr> <td>8000000000000000.000 - 8999999999999999.999</td> <td>±0.005</td> </tr> <tr> <td>9000000000000000.000 - 9999999999999999.999</td> <td>±0.005</td> </tr> <tr> <td>10000000000000000.000 - 14999999999999999.999</td> <td>±0.005</td> </tr> <tr> <td>15000000000000000.000 - 19999999999999999.999</td> <td>±0.005</td> </tr> <tr> <td>20000000000000000.000 - 29999999999999999.999</td> <td>±0.005</td> </tr> <tr> <td>30000000000000000.000 - 39999999999999999.999</td> <td>±0.005</td> </tr> <tr> <td>40000000000000000.000 - 49999999999999999.999</td> <td>±0.005</td> </tr> <tr> <td>50000000000000000.000 - 59999999999999999.999</td> <td>±0.005</td> </tr> <tr> <td>60000000000000000.000 - 69999999999999999.999</td> <td>±0.005</td> </tr> <tr> <td>70000000000000000.000 - 79999999999999999.999</td> <td>±0.005</td> </tr> <tr> <td>80000000000000000.000 - 89999999999999999.999</td> <td>±0.005</td> </tr> <tr> <td>90000000000000000.000 - 99999999999999999.999</td> <td>±0.005</td> </tr> <tr> <td>100000000000000000.000 - 149999999999999999.999</td> <td>±0.005</td> </tr> <tr> <td>150000000000000000.000 - 199999999999999999.999</td> <td>±0.005</td> </tr> <tr> <td>200000000000000000.000 - 299999999999999999.999</td> <td>±0.005</td> </tr> <tr> <td>300000000000000000.000 - 399999999999999999.999</td> <td>±0.005</td> </tr> <tr> <td>400000000000000000.000 - 499999999999999999.999</td> <td>±0.005</td> </tr> <tr> <td>500000000000000000.000 - 599999999999999999.999</td> <td>±0.005</td> </tr> <tr> <td>600000000000000000.000 - 699999999999999999.999</td> <td>±0.005</td> </tr> <tr> <td>700000000000000000.000 - 799999999999999999.999</td> <td>±0.005</td> </tr> <tr> <td>800000000000000000.000 - 899999999999999999.999</td> <td>±0.005</td> </tr> <tr> <td>900000000000000000.000 - 999999999999999999.999</td> <td>±0.005</td> </tr> <tr> <td>1000000000000000000.000 - 1499999999999999999.999</td> <td>±0.005</td> </tr> <tr> <td>1500000000000000000.000 - 1999999999999999999.999</td> <td>±0.005</td> </tr> <tr> <td>2000000000000000000.000 - 2999999999999999999.999</td> <td>±0.005</td> </tr> <tr> <td>3000000000000000000.000 - 3999999999999999999.999</td> <td>±0.005</td> </tr> <tr> <td>4000000000000000000.000 - 4999999999999999999.999</td> <td>±0.005</td> </tr> <tr> <td>5000000000000000000.000 - 5999999999999999999.999</td> <td>±0.005</td> </tr> <tr> <td>6000000000000000000.000 - 6999999999999999999.999</td> <td>±0.005</td> </tr> <tr> <td>7000000000000000000.000 - 7999999999999999999.999</td> <td>±0.005</td> </tr> <tr> <td>8000000000000000000.000 - 8999999999999999999.999</td> <td>±0.005</td> </tr> <tr> <td>9000000000000000000.000 - 9999999999999999999.999</td> <td>±0.005</td> </tr> <tr> <td>10000000000000000000.000 - 149999999999999999</td></tr></table>				DIMENSION RANGE	TOLERANCE	0.000 - 0.009	±0.005	0.010 - 0.019	±0.005	0.020 - 0.049	±0.005	0.050 - 0.099	±0.005	0.100 - 0.149	±0.005	0.150 - 0.199	±0.005	0.200 - 0.249	±0.005	0.250 - 0.299	±0.005	0.300 - 0.349	±0.005	0.350 - 0.399	±0.005	0.400 - 0.449	±0.005	0.450 - 0.499	±0.005	0.500 - 0.549	±0.005	0.550 - 0.599	±0.005	0.600 - 0.649	±0.005	0.650 - 0.699	±0.005	0.700 - 0.749	±0.005	0.750 - 0.799	±0.005	0.800 - 0.849	±0.005	0.850 - 0.899	±0.005	0.900 - 0.949	±0.005	0.950 - 0.999	±0.005	1.000 - 1.999	±0.005	2.000 - 2.999	±0.005	3.000 - 3.999	±0.005	4.000 - 4.999	±0.005	5.000 - 5.999	±0.005	6.000 - 6.999	±0.005	7.000 - 7.999	±0.005	8.000 - 8.999	±0.005	9.000 - 9.999	±0.005	10.000 - 14.999	±0.005	15.000 - 19.999	±0.005	20.000 - 24.999	±0.005	25.000 - 29.999	±0.005	30.000 - 34.999	±0.005	35.000 - 39.999	±0.005	40.000 - 44.999	±0.005	45.000 - 49.999	±0.005	50.000 - 54.999	±0.005	55.000 - 59.999	±0.005	60.000 - 64.999	±0.005	65.000 - 69.999	±0.005	70.000 - 74.999	±0.005	75.000 - 79.999	±0.005	80.000 - 84.999	±0.005	85.000 - 89.999	±0.005	90.000 - 94.999	±0.005	95.000 - 99.999	±0.005	100.000 - 199.999	±0.005	200.000 - 299.999	±0.005	300.000 - 399.999	±0.005	400.000 - 499.999	±0.005	500.000 - 599.999	±0.005	600.000 - 699.999	±0.005	700.000 - 799.999	±0.005	800.000 - 899.999	±0.005	900.000 - 999.999	±0.005	1000.000 - 1499.999	±0.005	1500.000 - 1999.999	±0.005	2000.000 - 2999.999	±0.005	3000.000 - 3999.999	±0.005	4000.000 - 4999.999	±0.005	5000.000 - 5999.999	±0.005	6000.000 - 6999.999	±0.005	7000.000 - 7999.999	±0.005	8000.000 - 8999.999	±0.005	9000.000 - 9999.999	±0.005	10000.000 - 14999.999	±0.005	15000.000 - 19999.999	±0.005	20000.000 - 29999.999	±0.005	30000.000 - 39999.999	±0.005	40000.000 - 49999.999	±0.005	50000.000 - 59999.999	±0.005	60000.000 - 69999.999	±0.005	70000.000 - 79999.999	±0.005	80000.000 - 89999.999	±0.005	90000.000 - 99999.999	±0.005	100000.000 - 149999.999	±0.005	150000.000 - 199999.999	±0.005	200000.000 - 299999.999	±0.005	300000.000 - 399999.999	±0.005	400000.000 - 499999.999	±0.005	500000.000 - 599999.999	±0.005	600000.000 - 699999.999	±0.005	700000.000 - 799999.999	±0.005	800000.000 - 899999.999	±0.005	900000.000 - 999999.999	±0.005	1000000.000 - 1499999.999	±0.005	1500000.000 - 1999999.999	±0.005	2000000.000 - 2999999.999	±0.005	3000000.000 - 3999999.999	±0.005	4000000.000 - 4999999.999	±0.005	5000000.000 - 5999999.999	±0.005	6000000.000 - 6999999.999	±0.005	7000000.000 - 7999999.999	±0.005	8000000.000 - 8999999.999	±0.005	9000000.000 - 9999999.999	±0.005	10000000.000 - 14999999.999	±0.005	15000000.000 - 19999999.999	±0.005	20000000.000 - 29999999.999	±0.005	30000000.000 - 39999999.999	±0.005	40000000.000 - 49999999.999	±0.005	50000000.000 - 59999999.999	±0.005	60000000.000 - 69999999.999	±0.005	70000000.000 - 79999999.999	±0.005	80000000.000 - 89999999.999	±0.005	90000000.000 - 99999999.999	±0.005	100000000.000 - 149999999.999	±0.005	150000000.000 - 199999999.999	±0.005	200000000.000 - 299999999.999	±0.005	300000000.000 - 399999999.999	±0.005	400000000.000 - 499999999.999	±0.005	500000000.000 - 599999999.999	±0.005	600000000.000 - 699999999.999	±0.005	700000000.000 - 799999999.999	±0.005	800000000.000 - 899999999.999	±0.005	900000000.000 - 999999999.999	±0.005	1000000000.000 - 1499999999.999	±0.005	1500000000.000 - 1999999999.999	±0.005	2000000000.000 - 2999999999.999	±0.005	3000000000.000 - 3999999999.999	±0.005	4000000000.000 - 4999999999.999	±0.005	5000000000.000 - 5999999999.999	±0.005	6000000000.000 - 6999999999.999	±0.005	7000000000.000 - 7999999999.999	±0.005	8000000000.000 - 8999999999.999	±0.005	9000000000.000 - 9999999999.999	±0.005	10000000000.000 - 14999999999.999	±0.005	15000000000.000 - 19999999999.999	±0.005	20000000000.000 - 29999999999.999	±0.005	30000000000.000 - 39999999999.999	±0.005	40000000000.000 - 49999999999.999	±0.005	50000000000.000 - 59999999999.999	±0.005	60000000000.000 - 69999999999.999	±0.005	70000000000.000 - 79999999999.999	±0.005	80000000000.000 - 89999999999.999	±0.005	90000000000.000 - 99999999999.999	±0.005	100000000000.000 - 149999999999.999	±0.005	150000000000.000 - 199999999999.999	±0.005	200000000000.000 - 299999999999.999	±0.005	300000000000.000 - 399999999999.999	±0.005	400000000000.000 - 499999999999.999	±0.005	500000000000.000 - 599999999999.999	±0.005	600000000000.000 - 699999999999.999	±0.005	700000000000.000 - 799999999999.999	±0.005	800000000000.000 - 899999999999.999	±0.005	900000000000.000 - 999999999999.999	±0.005	1000000000000.000 - 1499999999999.999	±0.005	1500000000000.000 - 1999999999999.999	±0.005	2000000000000.000 - 2999999999999.999	±0.005	3000000000000.000 - 3999999999999.999	±0.005	4000000000000.000 - 4999999999999.999	±0.005	5000000000000.000 - 5999999999999.999	±0.005	6000000000000.000 - 6999999999999.999	±0.005	7000000000000.000 - 7999999999999.999	±0.005	8000000000000.000 - 8999999999999.999	±0.005	9000000000000.000 - 9999999999999.999	±0.005	10000000000000.000 - 14999999999999.999	±0.005	15000000000000.000 - 19999999999999.999	±0.005	20000000000000.000 - 29999999999999.999	±0.005	30000000000000.000 - 39999999999999.999	±0.005	40000000000000.000 - 49999999999999.999	±0.005	50000000000000.000 - 59999999999999.999	±0.005	60000000000000.000 - 69999999999999.999	±0.005	70000000000000.000 - 79999999999999.999	±0.005	80000000000000.000 - 89999999999999.999	±0.005	90000000000000.000 - 99999999999999.999	±0.005	100000000000000.000 - 149999999999999.999	±0.005	150000000000000.000 - 199999999999999.999	±0.005	200000000000000.000 - 299999999999999.999	±0.005	300000000000000.000 - 399999999999999.999	±0.005	400000000000000.000 - 499999999999999.999	±0.005	500000000000000.000 - 599999999999999.999	±0.005	600000000000000.000 - 699999999999999.999	±0.005	700000000000000.000 - 799999999999999.999	±0.005	800000000000000.000 - 899999999999999.999	±0.005	900000000000000.000 - 999999999999999.999	±0.005	1000000000000000.000 - 1499999999999999.999	±0.005	1500000000000000.000 - 1999999999999999.999	±0.005	2000000000000000.000 - 2999999999999999.999	±0.005	3000000000000000.000 - 3999999999999999.999	±0.005	4000000000000000.000 - 4999999999999999.999	±0.005	5000000000000000.000 - 5999999999999999.999	±0.005	6000000000000000.000 - 6999999999999999.999	±0.005	7000000000000000.000 - 7999999999999999.999	±0.005	8000000000000000.000 - 8999999999999999.999	±0.005	9000000000000000.000 - 9999999999999999.999	±0.005	10000000000000000.000 - 14999999999999999.999	±0.005	15000000000000000.000 - 19999999999999999.999	±0.005	20000000000000000.000 - 29999999999999999.999	±0.005	30000000000000000.000 - 39999999999999999.999	±0.005	40000000000000000.000 - 49999999999999999.999	±0.005	50000000000000000.000 - 59999999999999999.999	±0.005	60000000000000000.000 - 69999999999999999.999	±0.005	70000000000000000.000 - 79999999999999999.999	±0.005	80000000000000000.000 - 89999999999999999.999	±0.005	90000000000000000.000 - 99999999999999999.999	±0.005	100000000000000000.000 - 149999999999999999.999	±0.005	150000000000000000.000 - 199999999999999999.999	±0.005	200000000000000000.000 - 299999999999999999.999	±0.005	300000000000000000.000 - 399999999999999999.999	±0.005	400000000000000000.000 - 499999999999999999.999	±0.005	500000000000000000.000 - 599999999999999999.999	±0.005	600000000000000000.000 - 699999999999999999.999	±0.005	700000000000000000.000 - 799999999999999999.999	±0.005	800000000000000000.000 - 899999999999999999.999	±0.005	900000000000000000.000 - 999999999999999999.999	±0.005	1000000000000000000.000 - 1499999999999999999.999	±0.005	1500000000000000000.000 - 1999999999999999999.999	±0.005	2000000000000000000.000 - 2999999999999999999.999	±0.005	3000000000000000000.000 - 3999999999999999999.999	±0.005	4000000000000000000.000 - 4999999999999999999.999	±0.005	5000000000000000000.000 - 5999999999999999999.999	±0.005	6000000000000000000.000 - 6999999999999999999.999	±0.005	7000000000000000000.000 - 7999999999999999999.999	±0.005	8000000000000000000.000 - 8999999999999999999.999	±0.005	9000000000000000000.000 - 9999999999999999999.999	±0.005	10000000000000000000.000 - 149999999999999999
DIMENSION RANGE	TOLERANCE																																																																																																																																																																																																																																																																																																																																																																																																																																																									
0.000 - 0.009	±0.005																																																																																																																																																																																																																																																																																																																																																																																																																																																									
0.010 - 0.019	±0.005																																																																																																																																																																																																																																																																																																																																																																																																																																																									
0.020 - 0.049	±0.005																																																																																																																																																																																																																																																																																																																																																																																																																																																									
0.050 - 0.099	±0.005																																																																																																																																																																																																																																																																																																																																																																																																																																																									
0.100 - 0.149	±0.005																																																																																																																																																																																																																																																																																																																																																																																																																																																									
0.150 - 0.199	±0.005																																																																																																																																																																																																																																																																																																																																																																																																																																																									
0.200 - 0.249	±0.005																																																																																																																																																																																																																																																																																																																																																																																																																																																									
0.250 - 0.299	±0.005																																																																																																																																																																																																																																																																																																																																																																																																																																																									
0.300 - 0.349	±0.005																																																																																																																																																																																																																																																																																																																																																																																																																																																									
0.350 - 0.399	±0.005																																																																																																																																																																																																																																																																																																																																																																																																																																																									
0.400 - 0.449	±0.005																																																																																																																																																																																																																																																																																																																																																																																																																																																									
0.450 - 0.499	±0.005																																																																																																																																																																																																																																																																																																																																																																																																																																																									
0.500 - 0.549	±0.005																																																																																																																																																																																																																																																																																																																																																																																																																																																									
0.550 - 0.599	±0.005																																																																																																																																																																																																																																																																																																																																																																																																																																																									
0.600 - 0.649	±0.005																																																																																																																																																																																																																																																																																																																																																																																																																																																									
0.650 - 0.699	±0.005																																																																																																																																																																																																																																																																																																																																																																																																																																																									
0.700 - 0.749	±0.005																																																																																																																																																																																																																																																																																																																																																																																																																																																									
0.750 - 0.799	±0.005																																																																																																																																																																																																																																																																																																																																																																																																																																																									
0.800 - 0.849	±0.005																																																																																																																																																																																																																																																																																																																																																																																																																																																									
0.850 - 0.899	±0.005																																																																																																																																																																																																																																																																																																																																																																																																																																																									
0.900 - 0.949	±0.005																																																																																																																																																																																																																																																																																																																																																																																																																																																									
0.950 - 0.999	±0.005																																																																																																																																																																																																																																																																																																																																																																																																																																																									
1.000 - 1.999	±0.005																																																																																																																																																																																																																																																																																																																																																																																																																																																									
2.000 - 2.999	±0.005																																																																																																																																																																																																																																																																																																																																																																																																																																																									
3.000 - 3.999	±0.005																																																																																																																																																																																																																																																																																																																																																																																																																																																									
4.000 - 4.999	±0.005																																																																																																																																																																																																																																																																																																																																																																																																																																																									
5.000 - 5.999	±0.005																																																																																																																																																																																																																																																																																																																																																																																																																																																									
6.000 - 6.999	±0.005																																																																																																																																																																																																																																																																																																																																																																																																																																																									
7.000 - 7.999	±0.005																																																																																																																																																																																																																																																																																																																																																																																																																																																									
8.000 - 8.999	±0.005																																																																																																																																																																																																																																																																																																																																																																																																																																																									
9.000 - 9.999	±0.005																																																																																																																																																																																																																																																																																																																																																																																																																																																									
10.000 - 14.999	±0.005																																																																																																																																																																																																																																																																																																																																																																																																																																																									
15.000 - 19.999	±0.005																																																																																																																																																																																																																																																																																																																																																																																																																																																									
20.000 - 24.999	±0.005																																																																																																																																																																																																																																																																																																																																																																																																																																																									
25.000 - 29.999	±0.005																																																																																																																																																																																																																																																																																																																																																																																																																																																									
30.000 - 34.999	±0.005																																																																																																																																																																																																																																																																																																																																																																																																																																																									
35.000 - 39.999	±0.005																																																																																																																																																																																																																																																																																																																																																																																																																																																									
40.000 - 44.999	±0.005																																																																																																																																																																																																																																																																																																																																																																																																																																																									
45.000 - 49.999	±0.005																																																																																																																																																																																																																																																																																																																																																																																																																																																									
50.000 - 54.999	±0.005																																																																																																																																																																																																																																																																																																																																																																																																																																																									
55.000 - 59.999	±0.005																																																																																																																																																																																																																																																																																																																																																																																																																																																									
60.000 - 64.999	±0.005																																																																																																																																																																																																																																																																																																																																																																																																																																																									
65.000 - 69.999	±0.005																																																																																																																																																																																																																																																																																																																																																																																																																																																									
70.000 - 74.999	±0.005																																																																																																																																																																																																																																																																																																																																																																																																																																																									
75.000 - 79.999	±0.005																																																																																																																																																																																																																																																																																																																																																																																																																																																									
80.000 - 84.999	±0.005																																																																																																																																																																																																																																																																																																																																																																																																																																																									
85.000 - 89.999	±0.005																																																																																																																																																																																																																																																																																																																																																																																																																																																									
90.000 - 94.999	±0.005																																																																																																																																																																																																																																																																																																																																																																																																																																																									
95.000 - 99.999	±0.005																																																																																																																																																																																																																																																																																																																																																																																																																																																									
100.000 - 199.999	±0.005																																																																																																																																																																																																																																																																																																																																																																																																																																																									
200.000 - 299.999	±0.005																																																																																																																																																																																																																																																																																																																																																																																																																																																									
300.000 - 399.999	±0.005																																																																																																																																																																																																																																																																																																																																																																																																																																																									
400.000 - 499.999	±0.005																																																																																																																																																																																																																																																																																																																																																																																																																																																									
500.000 - 599.999	±0.005																																																																																																																																																																																																																																																																																																																																																																																																																																																									
600.000 - 699.999	±0.005																																																																																																																																																																																																																																																																																																																																																																																																																																																									
700.000 - 799.999	±0.005																																																																																																																																																																																																																																																																																																																																																																																																																																																									
800.000 - 899.999	±0.005																																																																																																																																																																																																																																																																																																																																																																																																																																																									
900.000 - 999.999	±0.005																																																																																																																																																																																																																																																																																																																																																																																																																																																									
1000.000 - 1499.999	±0.005																																																																																																																																																																																																																																																																																																																																																																																																																																																									
1500.000 - 1999.999	±0.005																																																																																																																																																																																																																																																																																																																																																																																																																																																									
2000.000 - 2999.999	±0.005																																																																																																																																																																																																																																																																																																																																																																																																																																																									
3000.000 - 3999.999	±0.005																																																																																																																																																																																																																																																																																																																																																																																																																																																									
4000.000 - 4999.999	±0.005																																																																																																																																																																																																																																																																																																																																																																																																																																																									
5000.000 - 5999.999	±0.005																																																																																																																																																																																																																																																																																																																																																																																																																																																									
6000.000 - 6999.999	±0.005																																																																																																																																																																																																																																																																																																																																																																																																																																																									
7000.000 - 7999.999	±0.005																																																																																																																																																																																																																																																																																																																																																																																																																																																									
8000.000 - 8999.999	±0.005																																																																																																																																																																																																																																																																																																																																																																																																																																																									
9000.000 - 9999.999	±0.005																																																																																																																																																																																																																																																																																																																																																																																																																																																									
10000.000 - 14999.999	±0.005																																																																																																																																																																																																																																																																																																																																																																																																																																																									
15000.000 - 19999.999	±0.005																																																																																																																																																																																																																																																																																																																																																																																																																																																									
20000.000 - 29999.999	±0.005																																																																																																																																																																																																																																																																																																																																																																																																																																																									
30000.000 - 39999.999	±0.005																																																																																																																																																																																																																																																																																																																																																																																																																																																									
40000.000 - 49999.999	±0.005																																																																																																																																																																																																																																																																																																																																																																																																																																																									
50000.000 - 59999.999	±0.005																																																																																																																																																																																																																																																																																																																																																																																																																																																									
60000.000 - 69999.999	±0.005																																																																																																																																																																																																																																																																																																																																																																																																																																																									
70000.000 - 79999.999	±0.005																																																																																																																																																																																																																																																																																																																																																																																																																																																									
80000.000 - 89999.999	±0.005																																																																																																																																																																																																																																																																																																																																																																																																																																																									
90000.000 - 99999.999	±0.005																																																																																																																																																																																																																																																																																																																																																																																																																																																									
100000.000 - 149999.999	±0.005																																																																																																																																																																																																																																																																																																																																																																																																																																																									
150000.000 - 199999.999	±0.005																																																																																																																																																																																																																																																																																																																																																																																																																																																									
200000.000 - 299999.999	±0.005																																																																																																																																																																																																																																																																																																																																																																																																																																																									
300000.000 - 399999.999	±0.005																																																																																																																																																																																																																																																																																																																																																																																																																																																									
400000.000 - 499999.999	±0.005																																																																																																																																																																																																																																																																																																																																																																																																																																																									
500000.000 - 599999.999	±0.005																																																																																																																																																																																																																																																																																																																																																																																																																																																									
600000.000 - 699999.999	±0.005																																																																																																																																																																																																																																																																																																																																																																																																																																																									
700000.000 - 799999.999	±0.005																																																																																																																																																																																																																																																																																																																																																																																																																																																									
800000.000 - 899999.999	±0.005																																																																																																																																																																																																																																																																																																																																																																																																																																																									
900000.000 - 999999.999	±0.005																																																																																																																																																																																																																																																																																																																																																																																																																																																									
1000000.000 - 1499999.999	±0.005																																																																																																																																																																																																																																																																																																																																																																																																																																																									
1500000.000 - 1999999.999	±0.005																																																																																																																																																																																																																																																																																																																																																																																																																																																									
2000000.000 - 2999999.999	±0.005																																																																																																																																																																																																																																																																																																																																																																																																																																																									
3000000.000 - 3999999.999	±0.005																																																																																																																																																																																																																																																																																																																																																																																																																																																									
4000000.000 - 4999999.999	±0.005																																																																																																																																																																																																																																																																																																																																																																																																																																																									
5000000.000 - 5999999.999	±0.005																																																																																																																																																																																																																																																																																																																																																																																																																																																									
6000000.000 - 6999999.999	±0.005																																																																																																																																																																																																																																																																																																																																																																																																																																																									
7000000.000 - 7999999.999	±0.005																																																																																																																																																																																																																																																																																																																																																																																																																																																									
8000000.000 - 8999999.999	±0.005																																																																																																																																																																																																																																																																																																																																																																																																																																																									
9000000.000 - 9999999.999	±0.005																																																																																																																																																																																																																																																																																																																																																																																																																																																									
10000000.000 - 14999999.999	±0.005																																																																																																																																																																																																																																																																																																																																																																																																																																																									
15000000.000 - 19999999.999	±0.005																																																																																																																																																																																																																																																																																																																																																																																																																																																									
20000000.000 - 29999999.999	±0.005																																																																																																																																																																																																																																																																																																																																																																																																																																																									
30000000.000 - 39999999.999	±0.005																																																																																																																																																																																																																																																																																																																																																																																																																																																									
40000000.000 - 49999999.999	±0.005																																																																																																																																																																																																																																																																																																																																																																																																																																																									
50000000.000 - 59999999.999	±0.005																																																																																																																																																																																																																																																																																																																																																																																																																																																									
60000000.000 - 69999999.999	±0.005																																																																																																																																																																																																																																																																																																																																																																																																																																																									
70000000.000 - 79999999.999	±0.005																																																																																																																																																																																																																																																																																																																																																																																																																																																									
80000000.000 - 89999999.999	±0.005																																																																																																																																																																																																																																																																																																																																																																																																																																																									
90000000.000 - 99999999.999	±0.005																																																																																																																																																																																																																																																																																																																																																																																																																																																									
100000000.000 - 149999999.999	±0.005																																																																																																																																																																																																																																																																																																																																																																																																																																																									
150000000.000 - 199999999.999	±0.005																																																																																																																																																																																																																																																																																																																																																																																																																																																									
200000000.000 - 299999999.999	±0.005																																																																																																																																																																																																																																																																																																																																																																																																																																																									
300000000.000 - 399999999.999	±0.005																																																																																																																																																																																																																																																																																																																																																																																																																																																									
400000000.000 - 499999999.999	±0.005																																																																																																																																																																																																																																																																																																																																																																																																																																																									
500000000.000 - 599999999.999	±0.005																																																																																																																																																																																																																																																																																																																																																																																																																																																									
600000000.000 - 699999999.999	±0.005																																																																																																																																																																																																																																																																																																																																																																																																																																																									
700000000.000 - 799999999.999	±0.005																																																																																																																																																																																																																																																																																																																																																																																																																																																									
800000000.000 - 899999999.999	±0.005																																																																																																																																																																																																																																																																																																																																																																																																																																																									
900000000.000 - 999999999.999	±0.005																																																																																																																																																																																																																																																																																																																																																																																																																																																									
1000000000.000 - 1499999999.999	±0.005																																																																																																																																																																																																																																																																																																																																																																																																																																																									
1500000000.000 - 1999999999.999	±0.005																																																																																																																																																																																																																																																																																																																																																																																																																																																									
2000000000.000 - 2999999999.999	±0.005																																																																																																																																																																																																																																																																																																																																																																																																																																																									
3000000000.000 - 3999999999.999	±0.005																																																																																																																																																																																																																																																																																																																																																																																																																																																									
4000000000.000 - 4999999999.999	±0.005																																																																																																																																																																																																																																																																																																																																																																																																																																																									
5000000000.000 - 5999999999.999	±0.005																																																																																																																																																																																																																																																																																																																																																																																																																																																									
6000000000.000 - 6999999999.999	±0.005																																																																																																																																																																																																																																																																																																																																																																																																																																																									
7000000000.000 - 7999999999.999	±0.005																																																																																																																																																																																																																																																																																																																																																																																																																																																									
8000000000.000 - 8999999999.999	±0.005																																																																																																																																																																																																																																																																																																																																																																																																																																																									
9000000000.000 - 9999999999.999	±0.005																																																																																																																																																																																																																																																																																																																																																																																																																																																									
10000000000.000 - 14999999999.999	±0.005																																																																																																																																																																																																																																																																																																																																																																																																																																																									
15000000000.000 - 19999999999.999	±0.005																																																																																																																																																																																																																																																																																																																																																																																																																																																									
20000000000.000 - 29999999999.999	±0.005																																																																																																																																																																																																																																																																																																																																																																																																																																																									
30000000000.000 - 39999999999.999	±0.005																																																																																																																																																																																																																																																																																																																																																																																																																																																									
40000000000.000 - 49999999999.999	±0.005																																																																																																																																																																																																																																																																																																																																																																																																																																																									
50000000000.000 - 59999999999.999	±0.005																																																																																																																																																																																																																																																																																																																																																																																																																																																									
60000000000.000 - 69999999999.999	±0.005																																																																																																																																																																																																																																																																																																																																																																																																																																																									
70000000000.000 - 79999999999.999	±0.005																																																																																																																																																																																																																																																																																																																																																																																																																																																									
80000000000.000 - 89999999999.999	±0.005																																																																																																																																																																																																																																																																																																																																																																																																																																																									
90000000000.000 - 99999999999.999	±0.005																																																																																																																																																																																																																																																																																																																																																																																																																																																									
100000000000.000 - 149999999999.999	±0.005																																																																																																																																																																																																																																																																																																																																																																																																																																																									
150000000000.000 - 199999999999.999	±0.005																																																																																																																																																																																																																																																																																																																																																																																																																																																									
200000000000.000 - 299999999999.999	±0.005																																																																																																																																																																																																																																																																																																																																																																																																																																																									
300000000000.000 - 399999999999.999	±0.005																																																																																																																																																																																																																																																																																																																																																																																																																																																									
400000000000.000 - 499999999999.999	±0.005																																																																																																																																																																																																																																																																																																																																																																																																																																																									
500000000000.000 - 599999999999.999	±0.005																																																																																																																																																																																																																																																																																																																																																																																																																																																									
600000000000.000 - 699999999999.999	±0.005																																																																																																																																																																																																																																																																																																																																																																																																																																																									
700000000000.000 - 799999999999.999	±0.005																																																																																																																																																																																																																																																																																																																																																																																																																																																									
800000000000.000 - 899999999999.999	±0.005																																																																																																																																																																																																																																																																																																																																																																																																																																																									
900000000000.000 - 999999999999.999	±0.005																																																																																																																																																																																																																																																																																																																																																																																																																																																									
1000000000000.000 - 1499999999999.999	±0.005																																																																																																																																																																																																																																																																																																																																																																																																																																																									
1500000000000.000 - 1999999999999.999	±0.005																																																																																																																																																																																																																																																																																																																																																																																																																																																									
2000000000000.000 - 2999999999999.999	±0.005																																																																																																																																																																																																																																																																																																																																																																																																																																																									
3000000000000.000 - 3999999999999.999	±0.005																																																																																																																																																																																																																																																																																																																																																																																																																																																									
4000000000000.000 - 4999999999999.999	±0.005																																																																																																																																																																																																																																																																																																																																																																																																																																																									
5000000000000.000 - 5999999999999.999	±0.005																																																																																																																																																																																																																																																																																																																																																																																																																																																									
6000000000000.000 - 6999999999999.999	±0.005																																																																																																																																																																																																																																																																																																																																																																																																																																																									
7000000000000.000 - 7999999999999.999	±0.005																																																																																																																																																																																																																																																																																																																																																																																																																																																									
8000000000000.000 - 8999999999999.999	±0.005																																																																																																																																																																																																																																																																																																																																																																																																																																																									
9000000000000.000 - 9999999999999.999	±0.005																																																																																																																																																																																																																																																																																																																																																																																																																																																									
10000000000000.000 - 14999999999999.999	±0.005																																																																																																																																																																																																																																																																																																																																																																																																																																																									
15000000000000.000 - 19999999999999.999	±0.005																																																																																																																																																																																																																																																																																																																																																																																																																																																									
20000000000000.000 - 29999999999999.999	±0.005																																																																																																																																																																																																																																																																																																																																																																																																																																																									
30000000000000.000 - 39999999999999.999	±0.005																																																																																																																																																																																																																																																																																																																																																																																																																																																									
40000000000000.000 - 49999999999999.999	±0.005																																																																																																																																																																																																																																																																																																																																																																																																																																																									
50000000000000.000 - 59999999999999.999	±0.005																																																																																																																																																																																																																																																																																																																																																																																																																																																									
60000000000000.000 - 69999999999999.999	±0.005																																																																																																																																																																																																																																																																																																																																																																																																																																																									
70000000000000.000 - 79999999999999.999	±0.005																																																																																																																																																																																																																																																																																																																																																																																																																																																									
80000000000000.000 - 89999999999999.999	±0.005																																																																																																																																																																																																																																																																																																																																																																																																																																																									
90000000000000.000 - 99999999999999.999	±0.005																																																																																																																																																																																																																																																																																																																																																																																																																																																									
100000000000000.000 - 149999999999999.999	±0.005																																																																																																																																																																																																																																																																																																																																																																																																																																																									
150000000000000.000 - 199999999999999.999	±0.005																																																																																																																																																																																																																																																																																																																																																																																																																																																									
200000000000000.000 - 299999999999999.999	±0.005																																																																																																																																																																																																																																																																																																																																																																																																																																																									
300000000000000.000 - 399999999999999.999	±0.005																																																																																																																																																																																																																																																																																																																																																																																																																																																									
400000000000000.000 - 499999999999999.999	±0.005																																																																																																																																																																																																																																																																																																																																																																																																																																																									
500000000000000.000 - 599999999999999.999	±0.005																																																																																																																																																																																																																																																																																																																																																																																																																																																									
600000000000000.000 - 699999999999999.999	±0.005																																																																																																																																																																																																																																																																																																																																																																																																																																																									
700000000000000.000 - 799999999999999.999	±0.005																																																																																																																																																																																																																																																																																																																																																																																																																																																									
800000000000000.000 - 899999999999999.999	±0.005																																																																																																																																																																																																																																																																																																																																																																																																																																																									
900000000000000.000 - 999999999999999.999	±0.005																																																																																																																																																																																																																																																																																																																																																																																																																																																									
1000000000000000.000 - 1499999999999999.999	±0.005																																																																																																																																																																																																																																																																																																																																																																																																																																																									
1500000000000000.000 - 1999999999999999.999	±0.005																																																																																																																																																																																																																																																																																																																																																																																																																																																									
2000000000000000.000 - 2999999999999999.999	±0.005																																																																																																																																																																																																																																																																																																																																																																																																																																																									
3000000000000000.000 - 3999999999999999.999	±0.005																																																																																																																																																																																																																																																																																																																																																																																																																																																									
4000000000000000.000 - 4999999999999999.999	±0.005																																																																																																																																																																																																																																																																																																																																																																																																																																																									
5000000000000000.000 - 5999999999999999.999	±0.005																																																																																																																																																																																																																																																																																																																																																																																																																																																									
6000000000000000.000 - 6999999999999999.999	±0.005																																																																																																																																																																																																																																																																																																																																																																																																																																																									
7000000000000000.000 - 7999999999999999.999	±0.005																																																																																																																																																																																																																																																																																																																																																																																																																																																									
8000000000000000.000 - 8999999999999999.999	±0.005																																																																																																																																																																																																																																																																																																																																																																																																																																																									
9000000000000000.000 - 9999999999999999.999	±0.005																																																																																																																																																																																																																																																																																																																																																																																																																																																									
10000000000000000.000 - 14999999999999999.999	±0.005																																																																																																																																																																																																																																																																																																																																																																																																																																																									
15000000000000000.000 - 19999999999999999.999	±0.005																																																																																																																																																																																																																																																																																																																																																																																																																																																									
20000000000000000.000 - 29999999999999999.999	±0.005																																																																																																																																																																																																																																																																																																																																																																																																																																																									
30000000000000000.000 - 39999999999999999.999	±0.005																																																																																																																																																																																																																																																																																																																																																																																																																																																									
40000000000000000.000 - 49999999999999999.999	±0.005																																																																																																																																																																																																																																																																																																																																																																																																																																																									
50000000000000000.000 - 59999999999999999.999	±0.005																																																																																																																																																																																																																																																																																																																																																																																																																																																									
60000000000000000.000 - 69999999999999999.999	±0.005																																																																																																																																																																																																																																																																																																																																																																																																																																																									
70000000000000000.000 - 79999999999999999.999	±0.005																																																																																																																																																																																																																																																																																																																																																																																																																																																									
80000000000000000.000 - 89999999999999999.999	±0.005																																																																																																																																																																																																																																																																																																																																																																																																																																																									
90000000000000000.000 - 99999999999999999.999	±0.005																																																																																																																																																																																																																																																																																																																																																																																																																																																									
100000000000000000.000 - 149999999999999999.999	±0.005																																																																																																																																																																																																																																																																																																																																																																																																																																																									
150000000000000000.000 - 199999999999999999.999	±0.005																																																																																																																																																																																																																																																																																																																																																																																																																																																									
200000000000000000.000 - 299999999999999999.999	±0.005																																																																																																																																																																																																																																																																																																																																																																																																																																																									
300000000000000000.000 - 399999999999999999.999	±0.005																																																																																																																																																																																																																																																																																																																																																																																																																																																									
400000000000000000.000 - 499999999999999999.999	±0.005																																																																																																																																																																																																																																																																																																																																																																																																																																																									
500000000000000000.000 - 599999999999999999.999	±0.005																																																																																																																																																																																																																																																																																																																																																																																																																																																									
600000000000000000.000 - 699999999999999999.999	±0.005																																																																																																																																																																																																																																																																																																																																																																																																																																																									
700000000000000000.000 - 799999999999999999.999	±0.005																																																																																																																																																																																																																																																																																																																																																																																																																																																									
800000000000000000.000 - 899999999999999999.999	±0.005																																																																																																																																																																																																																																																																																																																																																																																																																																																									
900000000000000000.000 - 999999999999999999.999	±0.005																																																																																																																																																																																																																																																																																																																																																																																																																																																									
1000000000000000000.000 - 1499999999999999999.999	±0.005																																																																																																																																																																																																																																																																																																																																																																																																																																																									
1500000000000000000.000 - 1999999999999999999.999	±0.005																																																																																																																																																																																																																																																																																																																																																																																																																																																									
2000000000000000000.000 - 2999999999999999999.999	±0.005																																																																																																																																																																																																																																																																																																																																																																																																																																																									
3000000000000000000.000 - 3999999999999999999.999	±0.005																																																																																																																																																																																																																																																																																																																																																																																																																																																									
4000000000000000000.000 - 4999999999999999999.999	±0.005																																																																																																																																																																																																																																																																																																																																																																																																																																																									
5000000000000000000.000 - 5999999999999999999.999	±0.005																																																																																																																																																																																																																																																																																																																																																																																																																																																									
6000000000000000000.000 - 6999999999999999999.999	±0.005																																																																																																																																																																																																																																																																																																																																																																																																																																																									
7000000000000000000.000 - 7999999999999999999.999	±0.005																																																																																																																																																																																																																																																																																																																																																																																																																																																									
8000000000000000000.000 - 8999999999999999999.999	±0.005																																																																																																																																																																																																																																																																																																																																																																																																																																																									
9000000000000000000.000 - 9999999999999999999.999	±0.005																																																																																																																																																																																																																																																																																																																																																																																																																																																									
10000000000000000000.000 - 149999999999999999																																																																																																																																																																																																																																																																																																																																																																																																																																																										

LINE	ITEM	DOCUMENT NUMBER	PART NUMBER	DESCRIPTION	QUANTITY PER VARIATION
1	1	D-IA-7021253-0-DBU	7021253-01	WELDMENT BOTTOM ENCLOSURE	1
2	2		1218949-06	BUMPER, STRIP ADH BACK NEOPRENE	3
3	3		3622222-01	LABEL, DTC01-REGULATORY	1

REVISION HISTORY		BASIC PART NO: 7021098		DRN:	J. FOLEY	DATE:	30-JUN-83	D I G I T A L			
ENG	ECO NUMBER	REV	SECTION A OF A	CHK'D:	C. LARSEN	DATE:	29-SEP-83	TITLE PARTS LIST			
	INITIAL	A	SECTION VARIATION INDEX					ENCLOSURE ASSEMBLY, BOTTOM			
			[A] 01					DOCUMENT NUMBER			
			[B]	DES. ENG.:	J. LEWIS	DATE:	30-JUN-83	SIZE CODE NUMBER REV			
			[C]	RESP. ENG.:	D. BELANGER	DATE:	30-JUN-83	K	PL	7021098-0-DBP	A
			[D]	MFG. ENG.:	J. FAY	DATE:	30-JUN-83	ASSEMBLY NUMBER: TOP DOCUMENT NUMBER: FILE NAME: EDIT #			
			[E]					D-AD-7021098-0-DBU D-AD-7021098-0-DBU Z7522A.PLS 8			
			[F]								

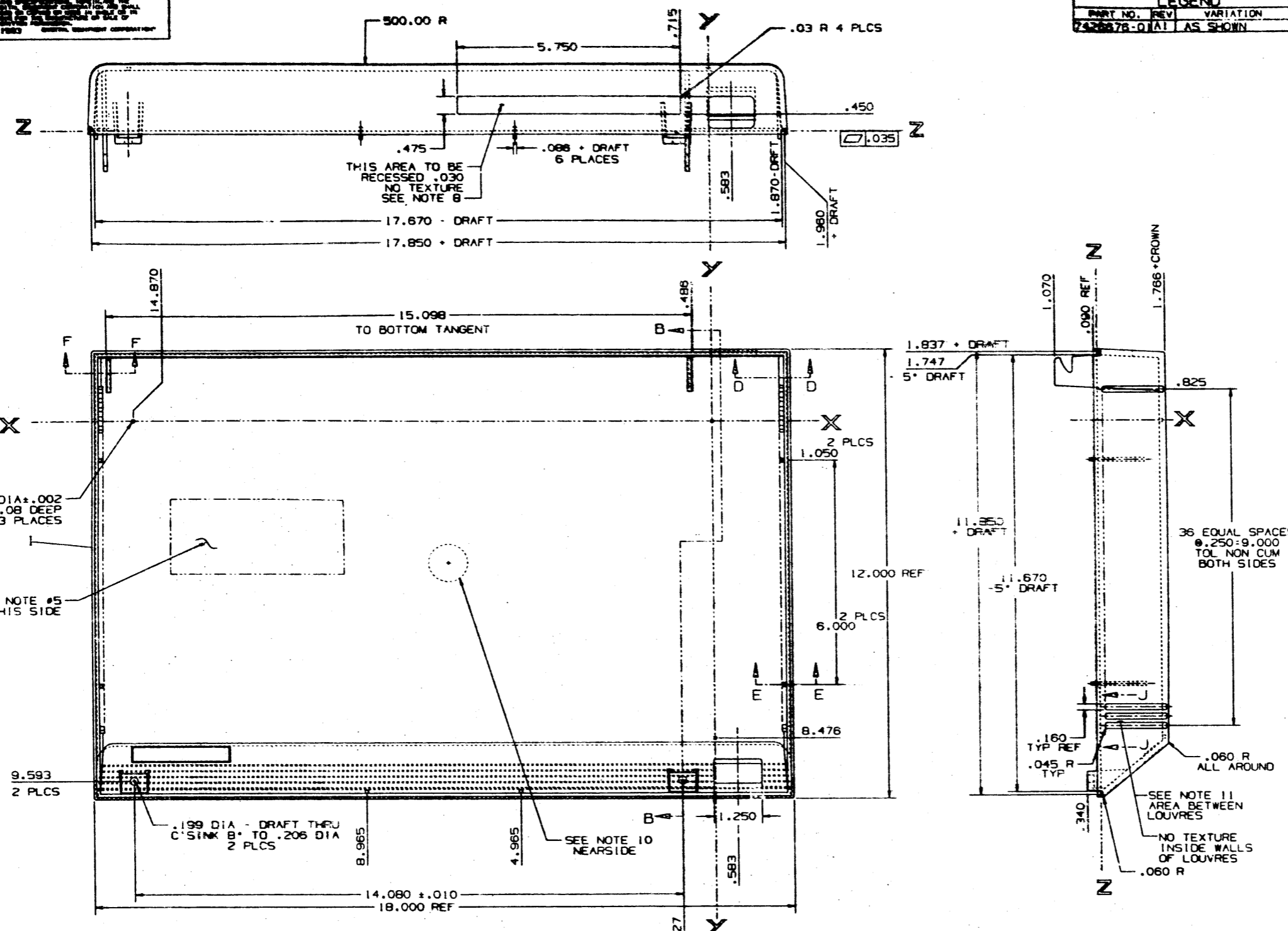
"THIS DRAWING AND SPECIFICATIONS HEREIN, ARE THE PROPERTY OF DIGITAL EQUIPMENT CORPORATION AND SHALL NOT BE REPRODUCED OR COPIED OR USED IN WHOLE OR IN PART AS THE BASIS FOR THE MANUFACTURE OR SALE OF ITEMS WITHOUT WRITTEN PERMISSION. COPYRIGHT (C) 1983. DIGITAL EQUIPMENT CORPORATION"

UNLESS OTHERWISE SPECIFIED, THE DIMENSIONS AND TOLERANCES SHOWN ON THIS DRAWING SHALL APPLY TO ALL DIMENSIONS AND TOLERANCES UNLESS OTHERWISE SPECIFIED.

LEGEND		
PART NO.	REV	VARIATION
7426678-01A1		AS SHOWN

- NOTES:
- PART SHALL CONFORM TO DIGITAL SPECIFICATION A-PS-1200015-GS. THE FOLLOWING SHALL ALSO APPLY.
  - MATERIAL:
    - GENERIC NAME: POLYPHENYLENE OXIDE
    - RESIN MANUFACTURER: GENERAL ELECTRIC COMPANY
    - TRADE NAME: NORYL N-190
    - COLOR: PER DEC STANDARD #092 (092-DXX2-068) GREY
    - ALTERNATE MATERIAL MUST RECEIVE DEC APPROVAL
  - FLAMMABILITY MUST MEET UL 94-V0 OR BETTER ON FINISHED PART
  - FINISH: TEXTURE ALL EXTERIOR SURFACES EXCEPT WHERE NOTED PER MOLD-TECH MT-1013 (1.0015 DP) TEXTURE TO BE WITHIN .030 OF SURFACE DETAILS.
  - IDENTIFICATION: ENGRAVE OR STAMP USING .187 CHARACTER BY .0007/.003 RAISED AS INDICATED BELOW AND LOCATE APPROXIMATELY AS SHOWN:
    - PART NUMBER: 7426678-01
    - REVISION: REMOVABLE INSERT REQ.
    - VENDOR IDENTIFICATION
  - UNLESS OTHERWISE SPECIFIED:
    - WALL THICKNESS TO BE .160 ± .005
    - DRAFT ANGLES: 3°
    - INSIDE RADIUS: .030
  - TOLERANCES UNLESS OTHERWISE SPECIFIED:
 

DIMENSION:	TOLERANCE:
UP TO 5.000	±.005
OVER 5.000	±.001/INCH
ANGLES	±0.5°
  - THIS AREA TO BE FREE OF DIRT GREASE AND MOLD RELEASE.
  - WITNESS LINE PERMISSIBLE .000 TO .003.
  - GENERAL AREA FOR SPRUE. AREA TO BE FLUSH OR RECESSED.
  - FINISH SURFACE PER SPE/SPI #5 MATTE FINISH.



CAUTION: OFF SHEET PARTS LIST EXISTS. REFER TO K-PL-7426678-3-DBP

DESCRIPTION	QUANTITY	UNIT	REVISION	DATE	BY	CHKD	APP'D
E-UA-VS240-0-DBU							
ENCLOSURE TOP							
DOCUMENT NUMBER: E 1A 7426678-0-DBU							
SHEET 1 OF 2							

EUA7426678-0-DBU A





AUTOMATED BY PRTLST.4Q(47)

PARTS LIST

SHEET A1 OF A1

LINE	ITEM	DOCUMENT NUMBER	PART NUMBER	DESCRIPTION	QUANTITY PER VARIATION
1	1	E-IA-7426676-0-DBU	7426676-01	ENCLOSURE TOP	01
2	2		9009940-00	INSERT, THREAD	1 2

REVISION HISTORY		BASIC PART NO: 7426676		DRN: S. PRESBREY		DATE: 24-AUG-82		D I G I T A L			
ENG:	ECO NUMBER	REV	SECTION A OF A	CHK'D:	R. LESTER	DATE:	18-OCT-83	TITLE		PARTS LIST	
	INITIAL	A	SECTION. VARIATION INDEX					ENCLOSURE, TOP			
			[A] 01	DES.ENG.:	J. SPANO	DATE:	9-NOV-82	DOCUMENT NUMBER			
			[B]	RESP.ENG.:	J. SPANO	DATE:	9-NOV-82	SIZE	CODE	NUMBER	REV
			[C]	MFG.ENG.:	C. MORRIS	DATE:	18-OCT-83	K	PL	7426676-0-DBP	A
			[D]	ASSEMBLY NUMBER:	E-WA-VS240-0-DBU	TOP DOCUMENT NUMBER:	B-DD-VS240-0-0	FILE NAME:		EDIT #	
			[E]					Z5357A.PLS		12	
			[F]								

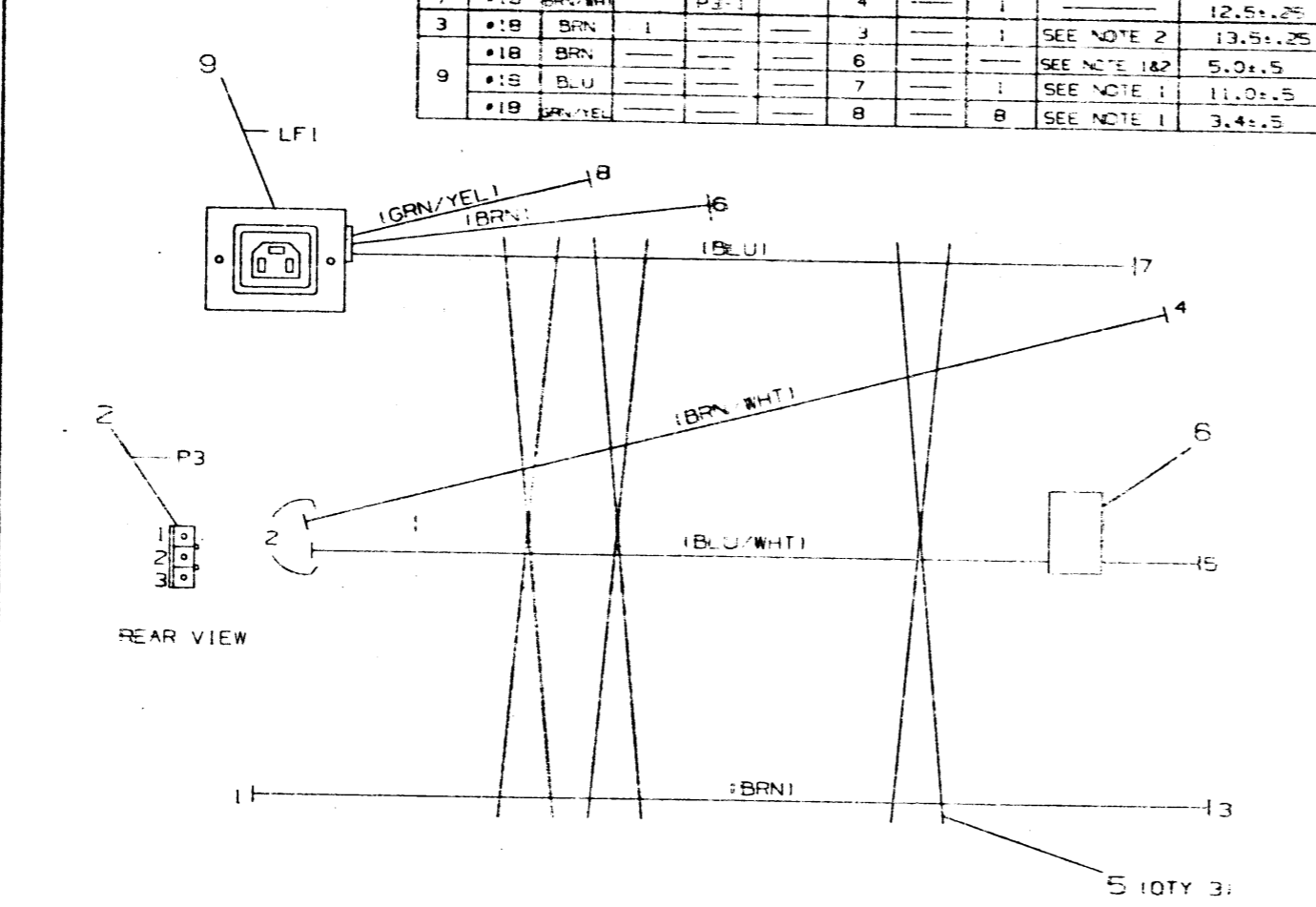
"THIS DRAWING AND SPECIFICATIONS HEREIN, ARE THE PROPERTY OF DIGITAL EQUIPMENT CORPORATION AND SHALL NOT BE REPRODUCED OR COPIED OR USED IN WHOLE OR IN PART AS THE BASIS FOR THE MANUFACTURE OR SALE OF ITEMS WITHOUT WRITTEN PERMISSION. COPYRIGHT (C) 1983. DIGITAL EQUIPMENT CORPORATION "

THIS DRAWING AND SPECIFICATIONS, HEREIN, ARE THE PROPERTY OF DIGITAL EQUIPMENT CORPORATION AND SHALL NOT BE REPRODUCED OR COPIED OR USED IN WHOLE OR IN PART AS THE BASIS FOR THE MANUFACTURE OR SALE OF ITEMS WITHOUT WRITTEN PERMISSION. DIGITAL EQUIPMENT CORPORATION © 1983

WIRE TABLE									
ITEM NO.	DESCRIPTION	COLOR	POINT	FROM		TO		REMARKS	WIRE LENGTH (REF.)
				CONN.	TERM.	POINT	CONN.		
4	•18	BLU/WHT	2	P3-3		5			12.5±.25
7	•18	BRN/WHT	2	P3-1		4			12.5±.25
3	•18	BRN	1			3		SEE NOTE 2	13.5±.25
9	•18	BRN				6		SEE NOTE 1&2	5.0±.5
	•18	BLU				7		SEE NOTE 1	11.0±.5
	•18	BRN/YEL				8		SEE NOTE 1	3.4±.5

LEGEND		
PART NO.	REV	VARIATION
7019936-00	A1	AS SHOWN

NOTES:  
 1. WIRE LENGTHS ON ITEM 9 ARE PRECUT.  
 2. STRIP AND TIN END .25



REAR VIEW

DO NOT SCALE DWG  
 0 IN 6 IN 12 IN  
 FOR MFG PURPOSES ONLY

CAUTION: OFF SHEETS PARTS LIST EXISTS.  
 REFER TO K-PL-7019936-0-DBP

DESIGN	DRAWING NO.	PART NO.	REV
UNLESS OTHERWISE SPECIFIED DIMENSIONS ARE IN INCHES PER ASSTD AND THE FOLLOWING TOLERANCES APPLY PER DEC STD 174			
DIMENSION RANGE (IN INCHES)			
OVER 12	12	1/8	0.015
3/16	3/8	1/16	0.010
1/4	1/2	1/32	0.008
5/16	3/4	1/64	0.005
7/16	1	1/128	0.004
1	10	1/256	0.003
10	100	1/512	0.002
100	1000	1/1024	0.001
1000		1/2048	0.0005
DATE: 01/11/83			
TITLE: LINE FILTER ASSY			
DRAWN BY: [Signature]			
CHECKED BY: [Signature]			
DATE: 01/11/83			
PART NO.: 7019936-00			
REV: A1			

REVISIONS

NO.	DATE	DESCRIPTION	INITIALS

LINE	ITEM	DOCUMENT NUMBER	PART NUMBER	DESCRIPTION	QUANTITY PER VARIATION
1	1		1217000-00	TERM, QUICK .250TAB CRIMP 18-2	4
2	2		1216651-10	CONN, IDC 03SKT(1X03).156CC	1
3	3		9107786-11	WIRE, 18AWG( 19/30)IPVC 300V1	A/R
4	4		9107828-69	WIRE, 18AWG( 19/30)TPVC 300V1	A/R
5	5		9007031-00	TIE, CABLE BUNDL DIA 0- 3/4"=101	3
6	6		9009255-00	LABEL, POWER SUPPLY, 2-15/16 " L	1
7	7		9107828-19	WIRE, 18AWG( 19/30)IPVC 300V1	A/R
8	8		9007930-00	TERM, RING #10STUD CRIMP 16-2	1
9	9		1216382-01	FILTER, LINE 120 240V 12A, EMI	1

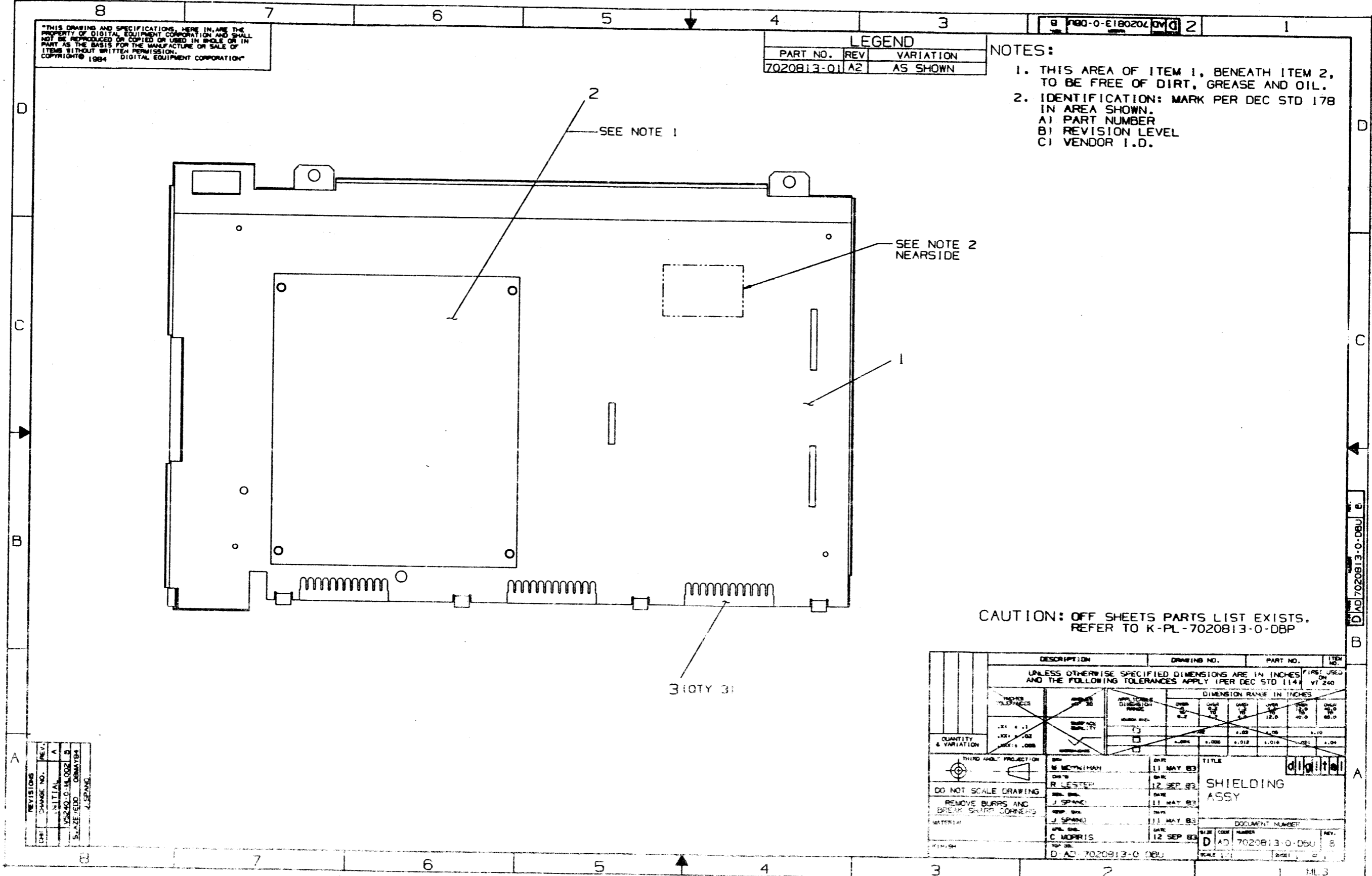
REVISION HISTORY		BASIC PART NO: 7019936		DRN: M. DUGGAN	DATE: 28-JUL-82	D I G I T A L				
ENG:	ECO NUMBER	REV	SECTION A OF A	CHK'D: R. LESTER	DATE: 12-SEP-83	TITLE		PARTS LIST		
	INITIAL	A	SECTION, VARIATION INDEX:	DES. ENG.: J. SPANO	DATE: 28-JUL-82	LINE FILTER ASSY				
			[A] 00	RESP. ENG.: J. SPANO	DATE: 28-JUL-82	DOCUMENT NUMBER				
			[B]	MFG. ENG.: C. MORRIS	DATE: 12-SEP-83	SIZE	CODE	NUMBER	REV	
			[C]	ASSEMBLY NUMBER:	TOP DOCUMENT NUMBER:	K	PL	7019936-0-DBP	A	
			[D]	D-IA-7019936-0-DBU	B-DD-VS240-0-DBU			FILE NAME:	EDIT #:	
			[E]					Z5209A.PLS	13	
			[F]							

"THIS DRAWING AND SPECIFICATIONS HEREIN, ARE THE PROPERTY OF DIGITAL EQUIPMENT CORPORATION AND SHALL NOT BE REPRODUCED OR COPIED OR USED IN WHOLE OR IN PART AS THE BASIS FOR THE MANUFACTURE OR SALE OF ITEMS WITHOUT WRITTEN PERMISSION. COPYRIGHT (C) 1983. DIGITAL EQUIPMENT CORPORATION "

"THIS DRAWING AND SPECIFICATIONS, HERE IN, ARE THE PROPERTY OF DIGITAL EQUIPMENT CORPORATION AND SHALL NOT BE REPRODUCED OR COPIED OR USED IN WHOLE OR IN PART AS THE BASIS FOR THE MANUFACTURE OR SALE OF ITEMS WITHOUT WRITTEN PERMISSION.  
 COPYRIGHT © 1984 DIGITAL EQUIPMENT CORPORATION"

LEGEND		
PART NO.	REV	VARIATION
7020813-011A2		AS SHOWN

- NOTES:
1. THIS AREA OF ITEM 1, BENEATH ITEM 2, TO BE FREE OF DIRT, GREASE AND OIL.
  2. IDENTIFICATION: MARK PER DEC STD 178 IN AREA SHOWN.  
 A) PART NUMBER  
 B) REVISION LEVEL  
 C) VENDOR I.D.



CAUTION: OFF SHEETS PARTS LIST EXISTS.  
 REFER TO K-PL-7020813-0-DBP

REV.	CHANGE NO.	INITIAL
A		
B		
C		
D		

DESCRIPTION	DRAWING NO.	PART NO.	ITEM NO.
UNLESS OTHERWISE SPECIFIED DIMENSIONS ARE IN INCHES AND THE FOLLOWING TOLERANCES APPLY (PER DEC STD 114)			
DIMENSION RANGE IN INCHES			
INCHES	FRAMES	APPLICABLE DIMENSIONS	APPLICABLE DIMENSIONS
0.000 - 0.250	0.000 - 0.250	0.000 - 0.250	0.000 - 0.250
0.250 - 0.500	0.250 - 0.500	0.250 - 0.500	0.250 - 0.500
0.500 - 1.000	0.500 - 1.000	0.500 - 1.000	0.500 - 1.000
1.000 - 2.000	1.000 - 2.000	1.000 - 2.000	1.000 - 2.000
2.000 - 4.000	2.000 - 4.000	2.000 - 4.000	2.000 - 4.000
4.000 - 6.000	4.000 - 6.000	4.000 - 6.000	4.000 - 6.000
6.000 - 12.000	6.000 - 12.000	6.000 - 12.000	6.000 - 12.000
12.000 - 24.000	12.000 - 24.000	12.000 - 24.000	12.000 - 24.000
24.000 - 48.000	24.000 - 48.000	24.000 - 48.000	24.000 - 48.000
48.000 - 96.000	48.000 - 96.000	48.000 - 96.000	48.000 - 96.000
96.000 - 192.000	96.000 - 192.000	96.000 - 192.000	96.000 - 192.000
192.000 - 384.000	192.000 - 384.000	192.000 - 384.000	192.000 - 384.000
384.000 - 768.000	384.000 - 768.000	384.000 - 768.000	384.000 - 768.000
768.000 - 1536.000	768.000 - 1536.000	768.000 - 1536.000	768.000 - 1536.000
1536.000 - 3072.000	1536.000 - 3072.000	1536.000 - 3072.000	1536.000 - 3072.000
3072.000 - 6144.000	3072.000 - 6144.000	3072.000 - 6144.000	3072.000 - 6144.000
6144.000 - 12288.000	6144.000 - 12288.000	6144.000 - 12288.000	6144.000 - 12288.000
12288.000 - 24576.000	12288.000 - 24576.000	12288.000 - 24576.000	12288.000 - 24576.000
24576.000 - 49152.000	24576.000 - 49152.000	24576.000 - 49152.000	24576.000 - 49152.000
49152.000 - 98304.000	49152.000 - 98304.000	49152.000 - 98304.000	49152.000 - 98304.000
98304.000 - 196608.000	98304.000 - 196608.000	98304.000 - 196608.000	98304.000 - 196608.000
196608.000 - 393216.000	196608.000 - 393216.000	196608.000 - 393216.000	196608.000 - 393216.000
393216.000 - 786432.000	393216.000 - 786432.000	393216.000 - 786432.000	393216.000 - 786432.000
786432.000 - 1572864.000	786432.000 - 1572864.000	786432.000 - 1572864.000	786432.000 - 1572864.000
1572864.000 - 3145728.000	1572864.000 - 3145728.000	1572864.000 - 3145728.000	1572864.000 - 3145728.000
3145728.000 - 6291456.000	3145728.000 - 6291456.000	3145728.000 - 6291456.000	3145728.000 - 6291456.000
6291456.000 - 12582912.000	6291456.000 - 12582912.000	6291456.000 - 12582912.000	6291456.000 - 12582912.000
12582912.000 - 25165824.000	12582912.000 - 25165824.000	12582912.000 - 25165824.000	12582912.000 - 25165824.000
25165824.000 - 50331648.000	25165824.000 - 50331648.000	25165824.000 - 50331648.000	25165824.000 - 50331648.000
50331648.000 - 100663296.000	50331648.000 - 100663296.000	50331648.000 - 100663296.000	50331648.000 - 100663296.000
100663296.000 - 201326592.000	100663296.000 - 201326592.000	100663296.000 - 201326592.000	100663296.000 - 201326592.000
201326592.000 - 402653184.000	201326592.000 - 402653184.000	201326592.000 - 402653184.000	201326592.000 - 402653184.000
402653184.000 - 805306368.000	402653184.000 - 805306368.000	402653184.000 - 805306368.000	402653184.000 - 805306368.000
805306368.000 - 1610612736.000	805306368.000 - 1610612736.000	805306368.000 - 1610612736.000	805306368.000 - 1610612736.000
1610612736.000 - 3221225472.000	1610612736.000 - 3221225472.000	1610612736.000 - 3221225472.000	1610612736.000 - 3221225472.000
3221225472.000 - 6442450944.000	3221225472.000 - 6442450944.000	3221225472.000 - 6442450944.000	3221225472.000 - 6442450944.000
6442450944.000 - 12884901888.000	6442450944.000 - 12884901888.000	6442450944.000 - 12884901888.000	6442450944.000 - 12884901888.000
12884901888.000 - 25769803776.000	12884901888.000 - 25769803776.000	12884901888.000 - 25769803776.000	12884901888.000 - 25769803776.000
25769803776.000 - 51539607552.000	25769803776.000 - 51539607552.000	25769803776.000 - 51539607552.000	25769803776.000 - 51539607552.000
51539607552.000 - 103079215104.000	51539607552.000 - 103079215104.000	51539607552.000 - 103079215104.000	51539607552.000 - 103079215104.000
103079215104.000 - 206158430208.000	103079215104.000 - 206158430208.000	103079215104.000 - 206158430208.000	103079215104.000 - 206158430208.000
206158430208.000 - 412316860416.000	206158430208.000 - 412316860416.000	206158430208.000 - 412316860416.000	206158430208.000 - 412316860416.000
412316860416.000 - 824633720832.000	412316860416.000 - 824633720832.000	412316860416.000 - 824633720832.000	412316860416.000 - 824633720832.000
824633720832.000 - 1649267441664.000	824633720832.000 - 1649267441664.000	824633720832.000 - 1649267441664.000	824633720832.000 - 1649267441664.000
1649267441664.000 - 3298534883328.000	1649267441664.000 - 3298534883328.000	1649267441664.000 - 3298534883328.000	1649267441664.000 - 3298534883328.000
3298534883328.000 - 6597069766656.000	3298534883328.000 - 6597069766656.000	3298534883328.000 - 6597069766656.000	3298534883328.000 - 6597069766656.000
6597069766656.000 - 13194139533312.000	6597069766656.000 - 13194139533312.000	6597069766656.000 - 13194139533312.000	6597069766656.000 - 13194139533312.000
13194139533312.000 - 26388279066624.000	13194139533312.000 - 26388279066624.000	13194139533312.000 - 26388279066624.000	13194139533312.000 - 26388279066624.000
26388279066624.000 - 52776558133248.000	26388279066624.000 - 52776558133248.000	26388279066624.000 - 52776558133248.000	26388279066624.000 - 52776558133248.000
52776558133248.000 - 105553116266496.000	52776558133248.000 - 105553116266496.000	52776558133248.000 - 105553116266496.000	52776558133248.000 - 105553116266496.000
105553116266496.000 - 211106232532992.000	105553116266496.000 - 211106232532992.000	105553116266496.000 - 211106232532992.000	105553116266496.000 - 211106232532992.000
211106232532992.000 - 422212465065984.000	211106232532992.000 - 422212465065984.000	211106232532992.000 - 422212465065984.000	211106232532992.000 - 422212465065984.000
422212465065984.000 - 844424930131968.000	422212465065984.000 - 844424930131968.000	422212465065984.000 - 844424930131968.000	422212465065984.000 - 844424930131968.000
844424930131968.000 - 1688849860263936.000	844424930131968.000 - 1688849860263936.000	844424930131968.000 - 1688849860263936.000	844424930131968.000 - 1688849860263936.000
1688849860263936.000 - 3377699720527872.000	1688849860263936.000 - 3377699720527872.000	1688849860263936.000 - 3377699720527872.000	1688849860263936.000 - 3377699720527872.000
3377699720527872.000 - 6755399441055744.000	3377699720527872.000 - 6755399441055744.000	3377699720527872.000 - 6755399441055744.000	3377699720527872.000 - 6755399441055744.000
6755399441055744.000 - 13510798882111488.000	6755399441055744.000 - 13510798882111488.000	6755399441055744.000 - 13510798882111488.000	6755399441055744.000 - 13510798882111488.000
13510798882111488.000 - 27021597764222976.000	13510798882111488.000 - 27021597764222976.000	13510798882111488.000 - 27021597764222976.000	13510798882111488.000 - 27021597764222976.000
27021597764222976.000 - 54043195528445952.000	27021597764222976.000 - 54043195528445952.000	27021597764222976.000 - 54043195528445952.000	27021597764222976.000 - 54043195528445952.000
54043195528445952.000 - 108086391056891904.000	54043195528445952.000 - 108086391056891904.000	54043195528445952.000 - 108086391056891904.000	54043195528445952.000 - 108086391056891904.000
108086391056891904.000 - 216172782113783808.000	108086391056891904.000 - 216172782113783808.000	108086391056891904.000 - 216172782113783808.000	108086391056891904.000 - 216172782113783808.000
216172782113783808.000 - 432345564227567616.000	216172782113783808.000 - 432345564227567616.000	216172782113783808.000 - 432345564227567616.000	216172782113783808.000 - 432345564227567616.000
432345564227567616.000 - 864691128455135232.000	432345564227567616.000 - 864691128455135232.000	432345564227567616.000 - 864691128455135232.000	432345564227567616.000 - 864691128455135232.000
864691128455135232.000 - 1729382256910270464.000	864691128455135232.000 - 1729382256910270464.000	864691128455135232.000 - 1729382256910270464.000	864691128455135232.000 - 1729382256910270464.000
1729382256910270464.000 - 3458764513820540928.000	1729382256910270464.000 - 3458764513820540928.000	1729382256910270464.000 - 3458764513820540928.000	1729382256910270464.000 - 3458764513820540928.000
3458764513820540928.000 - 6917529027641081856.000	3458764513820540928.000 - 6917529027641081856.000	3458764513820540928.000 - 6917529027641081856.000	3458764513820540928.000 - 6917529027641081856.000
6917529027641081856.000 - 13835058055282163712.000	6917529027641081856.000 - 13835058055282163712.000	6917529027641081856.000 - 13835058055282163712.000	6917529027641081856.000 - 13835058055282163712.000
13835058055282163712.000 - 27670116110564327424.000	13835058055282163712.000 - 27670116110564327424.000	13835058055282163712.000 - 27670116110564327424.000	13835058055282163712.000 - 27670116110564327424.000
27670116110564327424.000 - 55340232221128654848.000	27670116110564327424.000 - 55340232221128654848.000	27670116110564327424.000 - 55340232221128654848.000	27670116110564327424.000 - 55340232221128654848.000
55340232221128654848.000 - 110680464442257309696.000	55340232221128654848.000 - 110680464442257309696.000	55340232221128654848.000 - 110680464442257309696.000	55340232221128654848.000 - 110680464442257309696.000
110680464442257309696.000 - 221360928884514619392.000	110680464442257309696.000 - 221360928884514619392.000	110680464442257309696.000 - 221360928884514619392.000	110680464442257309696.000 - 221360928884514619392.000
221360928884514619392.000 - 442721857769029238784.000	221360928884514619392.000 - 442721857769029238784.000	221360928884514619392.000 - 442721857769029238784.000	221360928884514619392.000 - 442721857769029238784.000
442721857769029238784.000 - 885443715538058477568.000	442721857769029238784.000 - 885443715538058477568.000	442721857769029238784.000 - 885443715538058477568.000	442721857769029238784.000 - 885443715538058477568.000
885443715538058477568.000 - 1770887431076116955136.000	885443715538058477568.000 - 1770887431076116955136.000</		

AUTOMATED BY PRTLST.40(50)

PARTS LIST

SHEET A1 OF A1

LINE ITEM	TOP DOCUMENT	PART NUMBER	MIN REV DESCRIPTION	QTY PER VARIATION
1	1	E-IA-7426685-0-DBU	7426685-01	1
2	2	C-MD-7428955-0-DBU	7428955-01	1
3	3	C-MD-7429051-0-DBU	7429051-01	3

VARIATION REVISION LEVEL:

REVISION HISTORY		BASIC PART NO: 7020813		DRN: M. MOYNIHAN		DATE: 10-MAY-83		D I G I T A L	
ENG:	ECO NUMBER	REV	SECTION A OF A	CHK'D:	R. LESTER	DATE:	12-SEP-83	TITLE PARTS LIST SHIELDING ASSY	
---	INITIAL	A	SECTION VARIATION INDEX	DES.ENG:	J. SPANO	DATE:	10-MAY-83	DOCUMENT NUMBER	
JS	VS240-0-ML002	B	(A)01	RESP.ENG.:	J. SPANO	DATE:	10-MAY-83	SIZE	CODE
			(B)	MFG.ENG.:	C. MORRIS	DATE:	12-SEP-83	PL	7020813-0-DBP
			(C)	ASSEMBLY NUMBER:	D-AD-7020813-0-DBU	TOP DOCUMENT NUMBER:	D-AD-7020813-0-DBU	FILE NAME:	Z7096B.PLS
			(D)					RELEASE DATE:	10-MAR-84
			(E)					EDIT #	4
			(F)						

"THIS DRAWING AND THE SPECIFICATIONS CONTAINED HEREIN ARE CONFIDENTIAL AND PROPRIETARY. THEY ARE THE PROPERTY OF DIGITAL EQUIPMENT CORPORATION AND SHALL NOT BE REPRODUCED OR COPIED OR USED IN WHOLE OR IN PART AS THE BASIS FOR THE MANUFACTURE OR SALE OF ITEMS WITHOUT WRITTEN PERMISSION. THIS IS AN UNPUBLISHED WORK PROTECTED UNDER THE FEDERAL COPYRIGHT LAWS."



AUTOMATED BY: PRT-EST.4Q(47)

PARTS LIST

SHEET A1 OF A1

LINE	ITEM	DOCUMENT NUMBER	PART NUMBER	DESCRIPTION	QUANTITY PER VARIATION
1	1	D-MD-7427568-0-DBU	7427568-01	SHIELD, POWER SUPPLY	1
2	2		9009800-04	SCREW, TAP PAN PHIL THD RL 8-	4
3	3		1221125-01	FAN, TUBE AXIAL 3.125" 12V	1
4	4		1210822-02	MATE-N-LOK 02PIN(1X02) HSG	1
5	5		1209378-03	MATE-N-LOK 01PIN 30-22AWG .0850D	2
6	6		3610267-02	LABEL, DANGER HIGH VOLTAGE, SMOOTH	1
7	7		9107244-00	TUBING, EXTRUDED, .253ID UL	A/R

REVISION HISTORY		BASIC PART NO: 7019921		D I G I T A L	
ENG	ECO NUMBER	REV	SECTION A OF A	DRN:	MP DUGGAN
	INITIAL	A	SECTION VARIATION INDEX	CHK'D:	R. LESTER
			[A] 00	DATE:	29-JUL-82
			[B]	DATE:	12-SEP-83
			[C]	DES. ENG.:	J. SPANO
			[D]	DATE:	10-JAN-83
			[E]	RESP. ENG.:	J. SPANO
			[F]	DATE:	10-JAN-83
				MFG. ENG.:	C. MORRIS
				DATE:	12-SEP-83
				ASSEMBLY NUMBER:	D-AD-7019921-0-DBU
				TOP DOCUMENT NUMBER:	B-DD-VS240-0-DBU
				SIZE:	K
				CODE:	PL
				NUMBER:	7019921-0-DBP
				REV:	A
				FILE NAME:	Z5170A.PLS
				EDIT #:	11

"THIS DRAWING AND SPECIFICATIONS HEREIN, ARE THE PROPERTY OF DIGITAL EQUIPMENT CORPORATION AND SHALL NOT BE REPRODUCED OR COPIED OR USED IN WHOLE OR IN PART AS THE BASIS FOR THE MANUFACTURE OR SALE OF ITEMS WITHOUT WRITTEN PERMISSION. COPYRIGHT (C) 1983. DIGITAL EQUIPMENT CORPORATION "